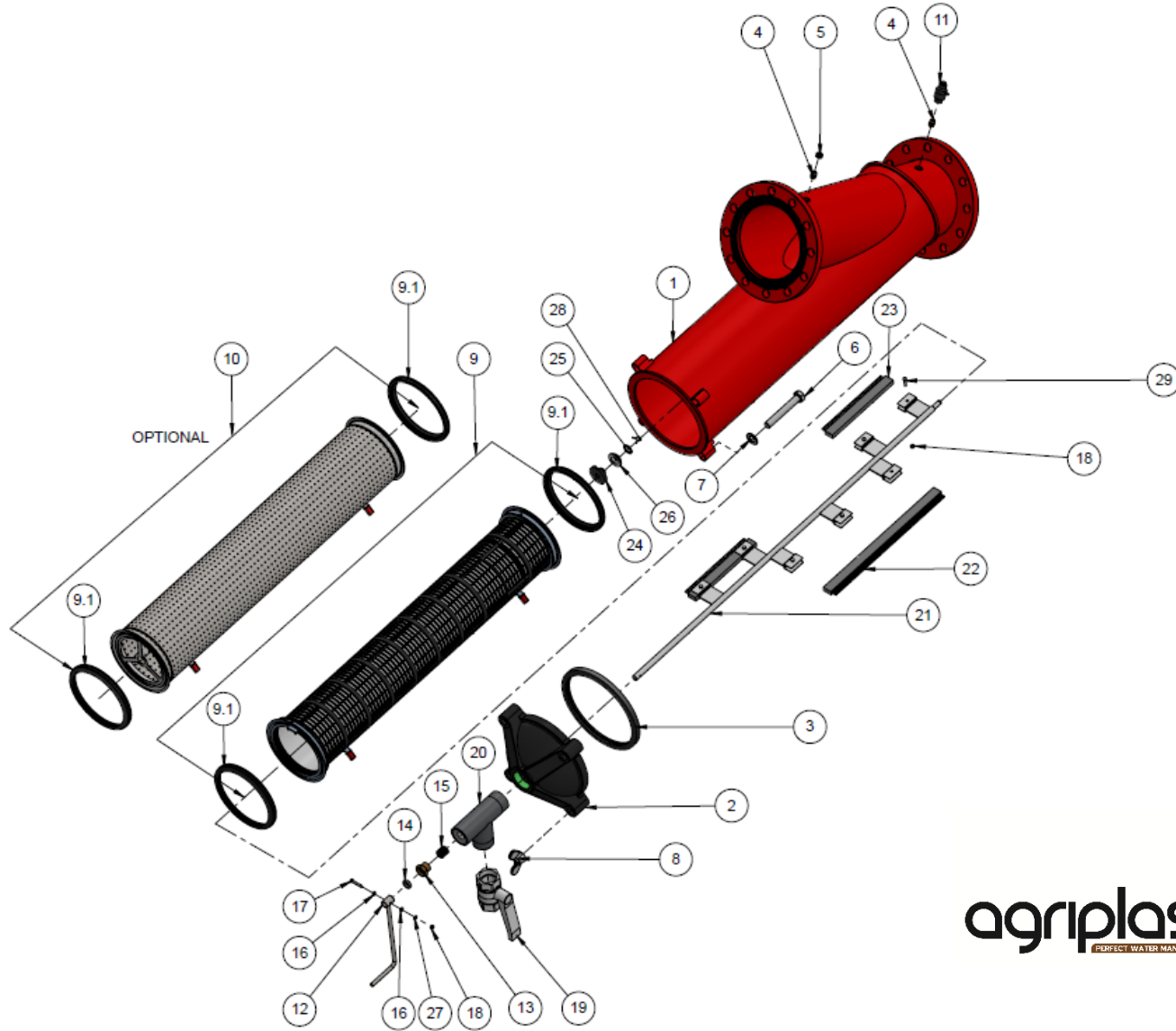


# 8" Steel Brushaway Filter In-Line ISO-16 RED 130Mic



ITEM NO.	CAT. NO.	DESCRIPTION	QTY.	MATERIAL
1	710105-000248	8"METAL HOUSING ISO16 PKPK 3002 IN/LINE	1	ST 37-2
2	710103-000679	Lid Polyester 6"-14" With 2" Threads	1	PE-100
3	770104-000089	Hydraulic Seal AM-07 (Polyester Lid)	1	NBR
4	710103-000591	Pressure Check Point Connector 1/4"X1/4"	2	Brass
5	700190-001305	Pressure Check Point Plastic W/O Nipple	1	Various
6	760101-000297	Hex.Bolt 3/4"UNC	4	Z.Plated C/ST
7	760103-000070	Flat Washer M20 DIN125 Zinc Plated C/ST	4	Z.Plated C/ST
8	760102-000076	NUT WING TYPE A 3/4"UNC M/S GALV	4	Z.Plated C/ST
9	700101-000515	Molded S/ST 316 5720sq cm 130MIC	1	Various
10	700101-000512	Double Perforated S.ST316 5720 SQ.CM 130 Micron 8" MT	1	Various
11	700190-001245	Clogging Indicator Assembly 1/4"BSPT	1	Various
12	710102-000219	Operating Handle 4"S-14"	1	S/ST 316L
13	710103-000740	Tightening Nut (4"S-14"BRUSH)	1	Brass
14	710103-000739	Plastic Bushing (4"S-14")	1	Delrin
15	700190-001363	Sealing Rope 4mm L1779	0.22	Silicon
16	760103-000094	Flat Washer M6 DIN125 S/ST316	2	S/ST 316
17	760101-000447	Hex Bolt Full Thread M6x35 DIN933 S/St 304	1	S/ST 304
18	760102-000085	Hex Nut M6 DIN934	8	S/ST 316
19	730104-000265	Ball Valve 2" F/F Nickel Coated	1	NICKEL COATED
20	710102-000130	Tee 2" BSPT For B/A Red	1	ST. 37-2
21	710102-000220	Spindle And Frame 8" (38) (194)	1	S/ST 316L
22	710103-000748	Brush Unit- 473mm	1	Various
23	710103-000749	PLASTIC BRUSH UNIT 260MM 8" FOR MLD SCRNR	2	PVC
24	710103-000777	BUSHING GUIDE BRUSH AXIS 4"-14	1	Delrin
25	710101-000974	UNION NUT CLIP	1	PBT
26	780101-000975	Nut 3/4"BSPT Plastic	1	PP
27	760103-000109	Spring Washer M6 DIN127 S/ST316	1	S/ST 316
28	760107-000053	Axis Locking Spring	1	S/ST 316L
29	760101-000445	Hex Bolt Full Thrd M6x25 S/ST316 DIN933	7	S/ST 316
9.1	770101-000080	Hydraulic Seal AM-05	1	EPDM

