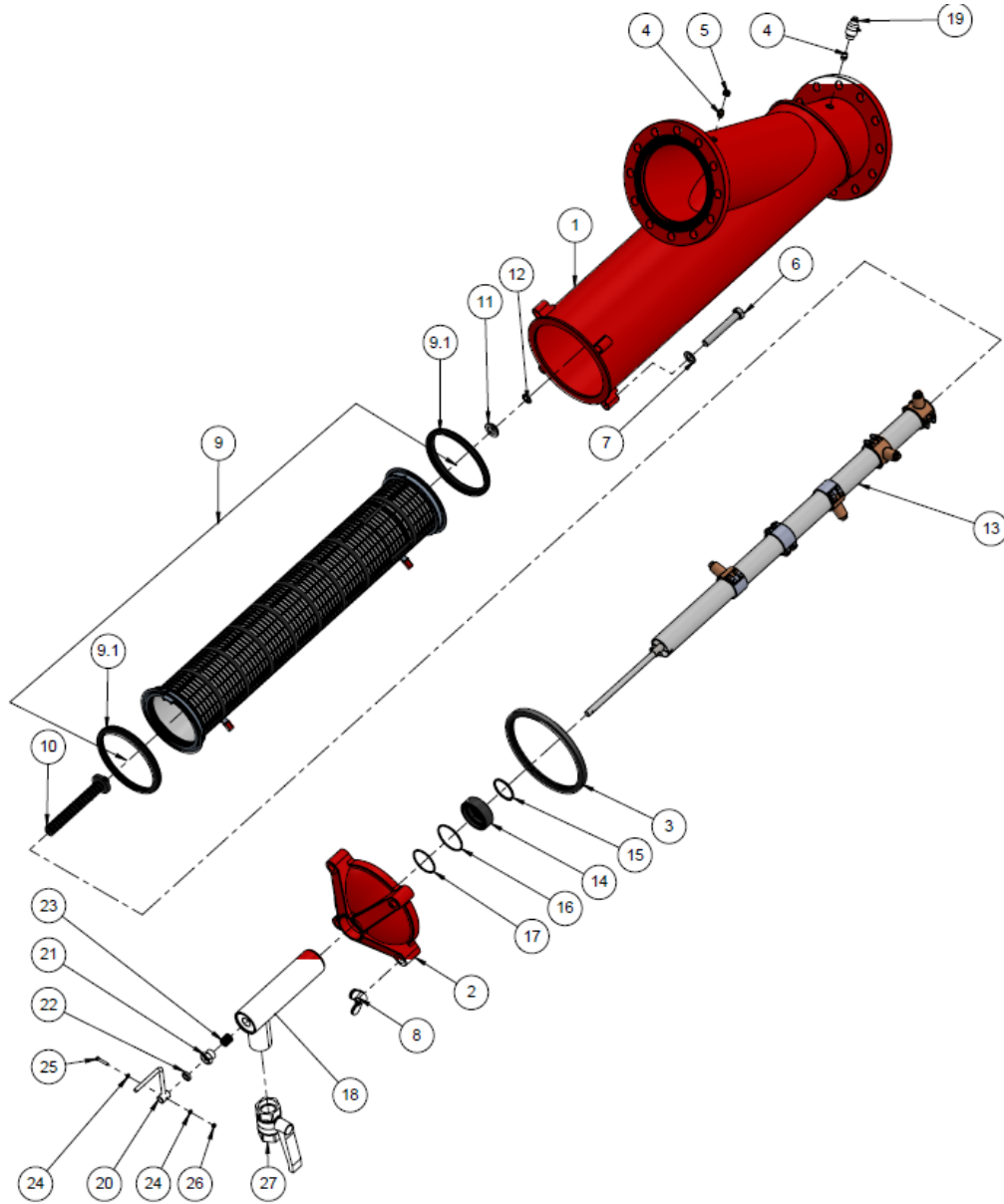


# 8" Scanaway Filter In-Line ISO-16 RED 130Mic



ITEM NO.	CAT. NO.	DESCRIPTION	QTY.
1	710105-000248	8"METAL HOUSING ISO16 PKPK 3002 IN/LINE	1
2	710103-000780	Polyester Lid 4"-14" ,Threads 2.5"-	1
3	770104-000089	Hydraulic Seal AM-07 (Polyester Lid)	1
4	710103-000591	Pressure Check Point Connector 1/4"X1/4"	2
5	700190-001305	Pressure Check Point Plastic W/O Nipple	1
6	760101-000297	Hex.Bolt 3/4"UNC	4
7	760103-000070	Flat Washer M20 DIN125 Zinc Plated C/ST	4
8	760102-000076	NUT WING TYPE A 3/4"UNC W/S GALV	4
9	700101-000515	Molded S/ST 316 5720sq cm 130MIC	1
10	710103-000776	Drive Bolt 4"-14" 8"MTL S.Auto	1
11	780101-000975	Nut 3/4"BSP Plastic	1
12	710101-000974	UNION NUT CLIP	1
13	700190-001471	Suction Scanner 8"	1
14	710103-000778	Seal 8"MTL S.AUTO	1
15	770101-000040	O-Ring 60X4 Flushing Chamber NBR	1
16	770102-000124	O-Ring Seal P2-235 (Actuator Housing) NBR	1
17	770102-000121	O-Ring 2-232	1
18	710105-000304	Scanaway T Connector 4"-14" BSPT PKPK3002	1
19	700190-001245	Clogging Indicator Assembly 1/4"BSP	1
20	710102-000057	Operating Handle (2"-4")	1
21	710103-000740	Tightening Nut (4"S-14"BRUSH)	1
22	710103-000739	Plastic Bushing (4"S-14")	1
23	700190-001363	Seiling Rope 4mm L1779	1
24	760103-000094	Flat Washer M6 DIN125 S/ST316	2
25	760101-000447	Hex Bolt Full Thread M6x35 DIN933 S/St 304	1
26	760102-000085	Hex Nut M6 DIN934	1
27	730104-000265	Ball Valve 2" F/F Nickel Coated	1
9.1	770104-000080	Hydraulic Seal AM-05	2