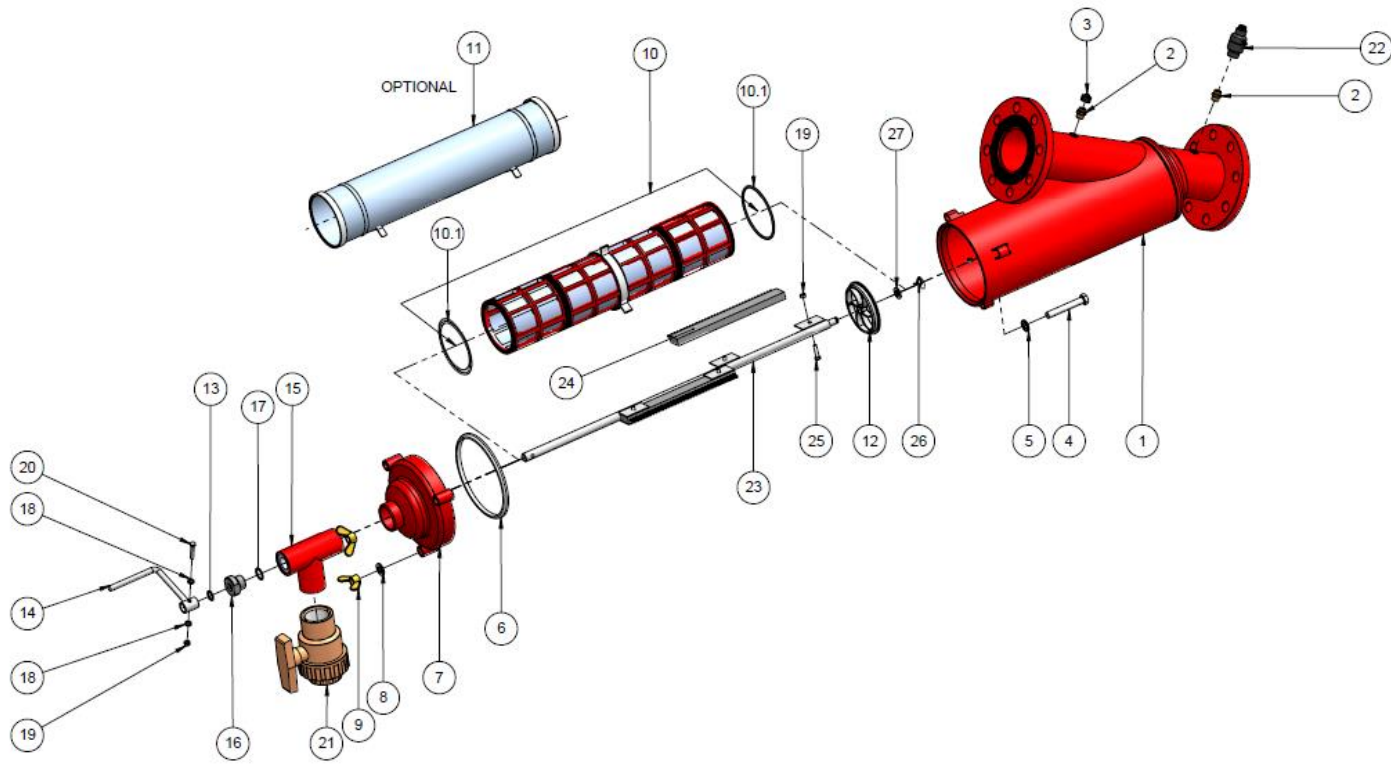


3" Brushaway Filter ISO-16 IN/LINE RED



ITEM NO.	CAT. NO.	DESCRIPTION	QTY.	MATERIAL
1	710105-000114	HOUSING 3" ISO16 EPOXY FKPK-3002	1	Various
2	710103-000591	Pressure Check Point Connector 1/4"X1/4"	2	Brass
3	700190-001305	Pressure Check Point Plastic W/O Nipple	1	Various
4	760101-000322	Hex Bolt Partial Thread M12X80 Zinc Plated C/ST	3	Zinc Plated
5	710101-000632	Hold Plastic Washer	3	PP
6	770104-000083	Servic Port Lid Seal AM-12 (SAF-4500)	1	NBR
7	710105-000057	Lid 2'-4" (DOM)Shape Seal Poly PKPK-3002	1	ST.37-2
8	760103-000077	Flat Washer M12 DIN125 Zinc Plated C/ST	3	Zinc Plated
9	760102-000113	Wing Nut M12 Brass B18.17	3	Brass
10	700101-000451	Wevewire S/S T316 930SQ.CM Screen 300MIC FOR 3" Metal	1	Various
11	700101-000440	Perforated S/ST 316L 1430SQ.CM 2500Mic. F/3" MT	1	S/ST 316L
12	710101-000657	Centering Ring For Brush Shaft	1	RAMTAL PM7109
13	770102-000083	O-Ring Seal p2-114 NBR's"	1	NBR
14	710102-000057	Operating Handle (2'-4")	1	S/ST 316L
15	710102-000086	Tee 1.5" BSPT Red	1	ST 37-2
16	710103-000703	Bearing Nut B/A, S/A Shaft	1	PVC
17	770102-000085	O-Ring Seal P2-116 NBR	1	NBR
18	760103-000094	Flat Washer M6 DIN125 S/ST316	2	S/ST 316
19	760102-000085	Hex Nut M6 DIN934	5	S/ST 316
20	760101-000447	Hex Bolt Full Thread M6x35 DIN933 S/St 304	1	S/ST 304
21	730104-000253	Ball Valve 1/2",PVC,Threaded	1	PVC
22	700190-001245	Clogging Indicator Assembly 1/4"BSP	1	Various
23	710102-000213	Spindle Frame 2'-4"L	1	S/ST 316L
24	710103-000685	Plastic Brush Unit (242mm) 2'T/8" B/A	2	Various
25	760101-000445	Hex Bolt Full Thrd M6x25 S/ST316 DIN933	4	S/ST 316
26	760107-000053	Axis Locking Spring	1	S/ST 316L
27	760103-000098	Flat Washer M12 DIN 125	1	S/ST 316
10.1	770101-000130	Parker O-Ring 2-242 70S	2	NBR