

# AMIAD Water Systems

Spare Parts List  
M100 Filters  
**June 2015**



## AMIAD Water Systems

### Spare Parts List

### M100 Filters

**Disclaimer:**

This document and the information enclosed within it contain restricted and/or privileged information that are intended only for usage by authorized Amiad technicians. If you are not a qualified Amiad technician you must not take any action in reliance to this document, unless permitted by Amiad. None of the procedures provided on this file may be used in any form or by any means without permission from Amiad. If you received this file in error please notify Amiad immediately. The confidential nature of and/or privilege in the file enclosed is not waived or lost as a result of a mistake or error in this file.

Amiad accepts no liability whatsoever, whether it was caused by:

1. Accessing or other related actions to this file.
2. Any links, procedures or materials provided/attached to this file.

Amiad assumes that all users understand risks involved within this file and/or its attached materials.

All the procedures, drawings, pictures and/or any other information provided in this document are presented as general information only; they can be altered, removed or changed without any further notice by Amiad.

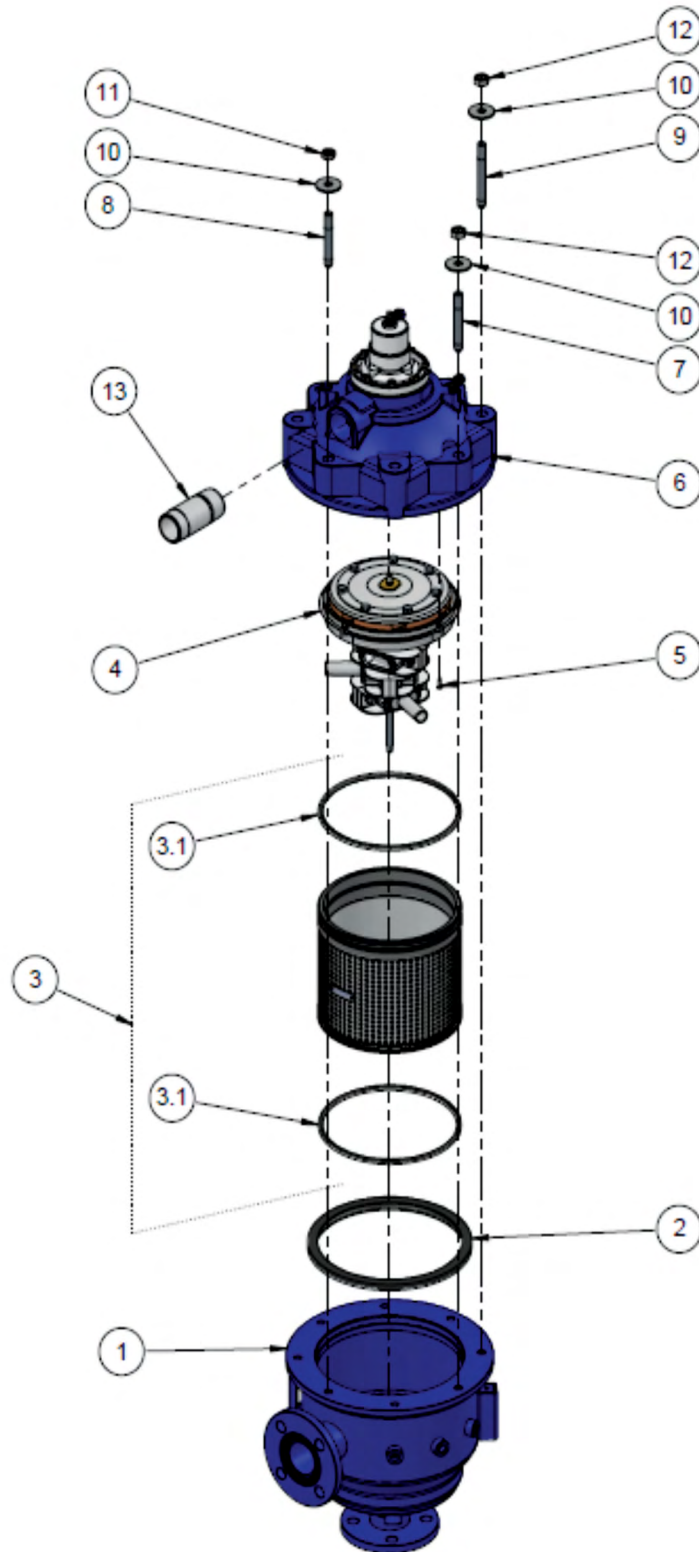
This document does not replace any certified drawing, procedure or information provided by Amiad in reference to a specific customer, site or project.

All rights reserved.

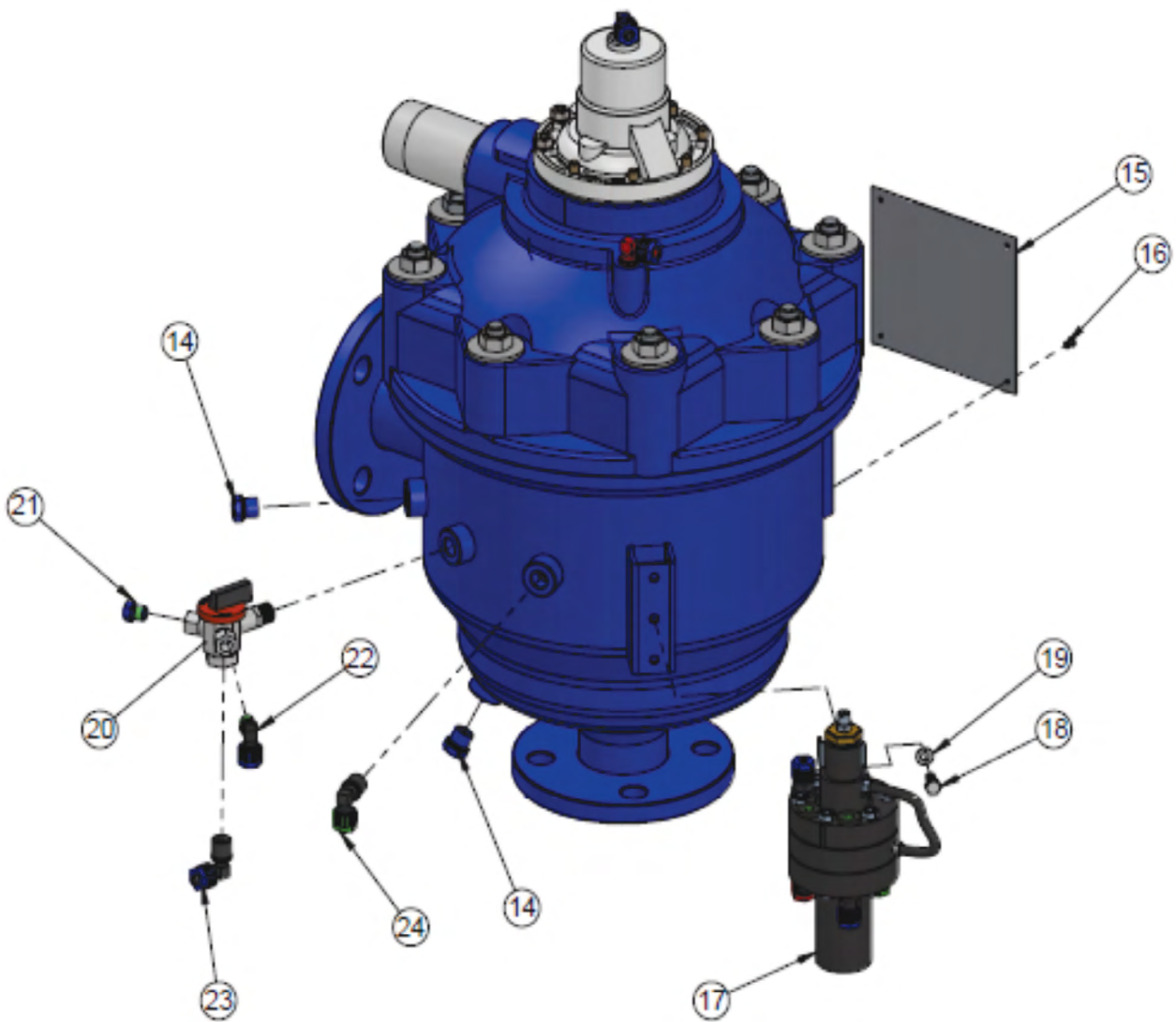
## TABLE OF CONTENTS

M100-750 Hydraulic Filter	4-11
M100-750 Electronic Filter	12-19
M100-1500 Hydraulic Filter	20-27
M100-1500 Electronic Filter	28-35
M100-4500 Hydraulic Filter	36-43
M100-4500 Electronic Filter	44-53
M100-6800 Hydraulic Filter	54-61
M100-6800 Electronic Filter	62-71

M100-750 HYDRAULIC FILTER - DRAWING SECTION - 1.1



M100-750 HYDRAULIC FILTER - DRAWING SECTION - 1.2



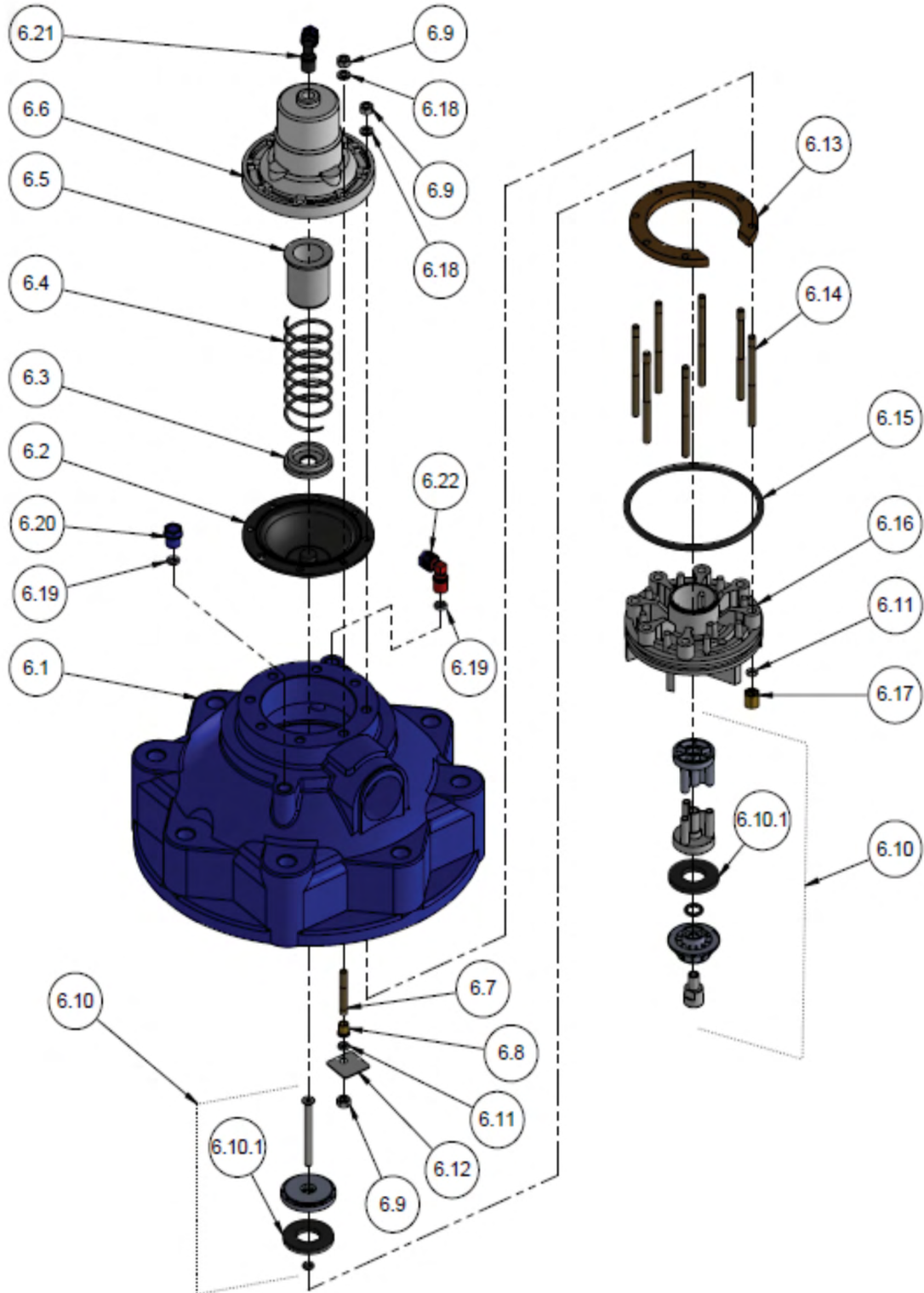
## M100-750 HYDRAULIC FILTER PARTS SCHEDULE SECTION - 1

NO.	DESCRIPTION	SAP. CAT.NO.
1	Filter Housing 102 C NPT	710105-000478
1	Filter Housing 102 C ASA150	710105-000474
1	Filter Housing 103 C NPT	710105-000487
1	Filter Housing 103 C ASA150	710105-000482
2	Seal Cover M1 x 2C/X/LP/10 55-60SH NAT	770104-000156
3	Molded Fine Screen S/ST316 750SQ.CM 130 micron for M100-750	700101-000614
3.1	O-Ring Seal 674 Shore 55-60	770102-000217
4	Dirt Collector Assembly 3 Nozzles M102C/M103C	700190-001724
5	Phillips Pan Tap Screw #8 x 3/4" S/St316 B18.6.4 type AB	760101-000508
6	Cover Assembly M102C/3C(L)/4C	700190-001727
7	Stud Bolt Medium UNC1/2" x 100/25/15 S/St304	760104-000082
8	Stud Bolt Short UNC1/2" x 92/20/10 S/St304	760104-000081
9	Stud Bolt Long UNC1/2" x 108/25/15 S/St304	760104-000084
10	Flat Washer 1/2" UNC Special Zinc Plated C/St	760103-000068
11	Hex Jam Nut 1/2" UNC 304 B18.2.2	760102-000096
12	Nut UNC Galvanize ANSI 1/2"	760102-000052
13	Fitting Nipple 1.5" BSP/NPT x 105 Long PVC	780101-000932
14	Plug 1/4" M Blue	720501-000190
15	Aluminum Filtomat Nameplate, CE, EN	900103-000001
16	Rivet Blind 3 x 6 DIN7337 S/ST316	760105-000036

## M100-750 HYDRAULIC FILTER PARTS SCHEDULE SECTION - 1

NO.	DESCRIPTION	SAP. CAT.NO.
17	Rinse Controller Short M100 Piston Model	700190-001522
18	Hex Bolt Full Thread 1/4" UNC x 1/2" S/ST316	760101-000552
19	Spring Washer M6 DIN127 S/ST316	760103-000109
20	SY-3 1/4" Valve BSPP	730104-000003
21	Fitting Plug 1/8" BSP Plastic Blue	720501-000197
22	L-Connector 1/8" x 8mm Black-Blue	720501-000245
23	L-Connector 1/4" M x 8mm Black-Blue	720501-000229
24	L-Connector 1/4" M x 8mm Black-Green	720501-000205

M100-750 HYDRAULIC FILTER - DRAWING SECTION - 2

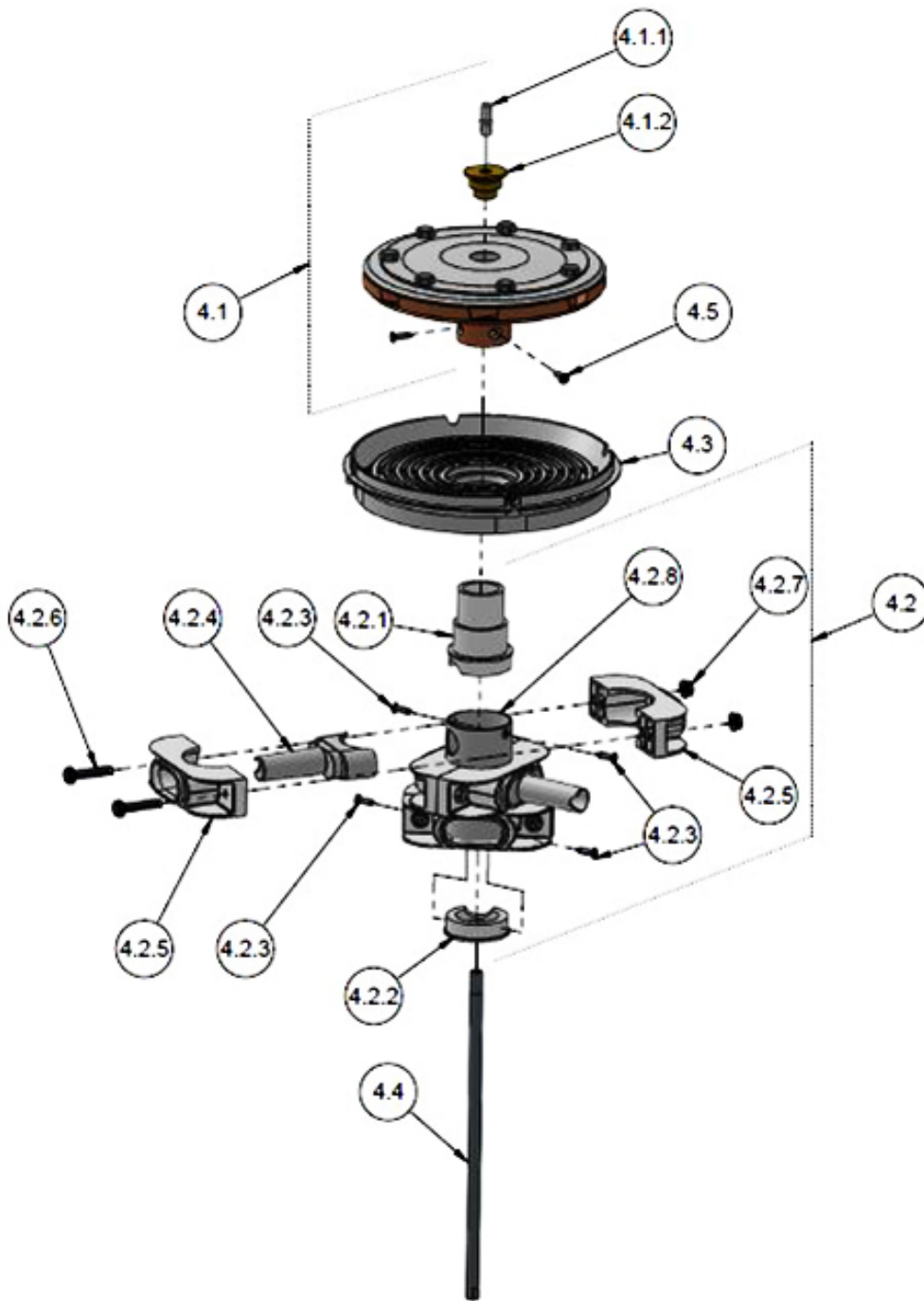




## M100-750 HYDRAULIC FILTER PARTS SCHEDULE SECTION - 2

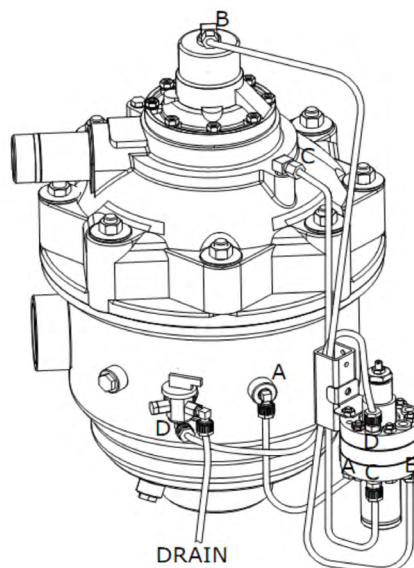
NO.	DESCRIPTION	SAP. CAT.NO.
6	Cover Assembly M102C/3C(L)/4C	700190-001727
6.1	Cover 8 Holes M10 x (X)(L)	710103-000816
6.2	Diaphragm M102C/104C Natural Rubber	770106-000028
6.3	Spring Guide M102/3(B)(C)	710101-000703
6.4	Spring S/St302	760107-000070
6.5	Plug Guide Spring M102/3	710101-000702
6.6	Diaphragm Cover M102C/104C	710103-000984
6.7	Rod Tie Short Diaphragm Cover	710103-001083
6.8	Bush Cover M10 x (L)(P) Brass	710103-000896
6.9	Hex Nut 1/4" UNC S/ST316 B18.2.2	760102-000078
6.10	Exhaust Valve Assembly (102/3/4C)	700190-001741
6.10.1	Seal Valve M102/3C NBR	770104-000133
6.11	O-Ring Seal P2-107 NBR	770102-000079
6.12	Square Washer S/St316 (30 x 30)	710103-001084
6.13	Support Rod Tie Diafhrgm Brass M102/3(B)	710103-001089
6.14	Rod Tie Long Diaphragm Cover Brass	710103-001097
6.15	O-Ring Seal (P2-351) 50 + 5 NBR	770102-000156
6.16	Seat Valve (Insert)	710103-000990
6.17	Nut Special Brass	710103-001080
6.18	Flat Washer M6 DIN125S/ST316	760103-000094
6.19	O-Ring Seals 6 x 3 NBR "S"	770101-000042
6.20	Plug 1/4" M Blue	720501-000190
6.21	L-Connector 1/4" M x 8mm Black-Blue	720501-000229
6.22	L-Connector 1/4" M x 8mm Red-Blue	720501-000908

M100-750 HYDRAULIC FILTER - DRAWING SECTION - 3

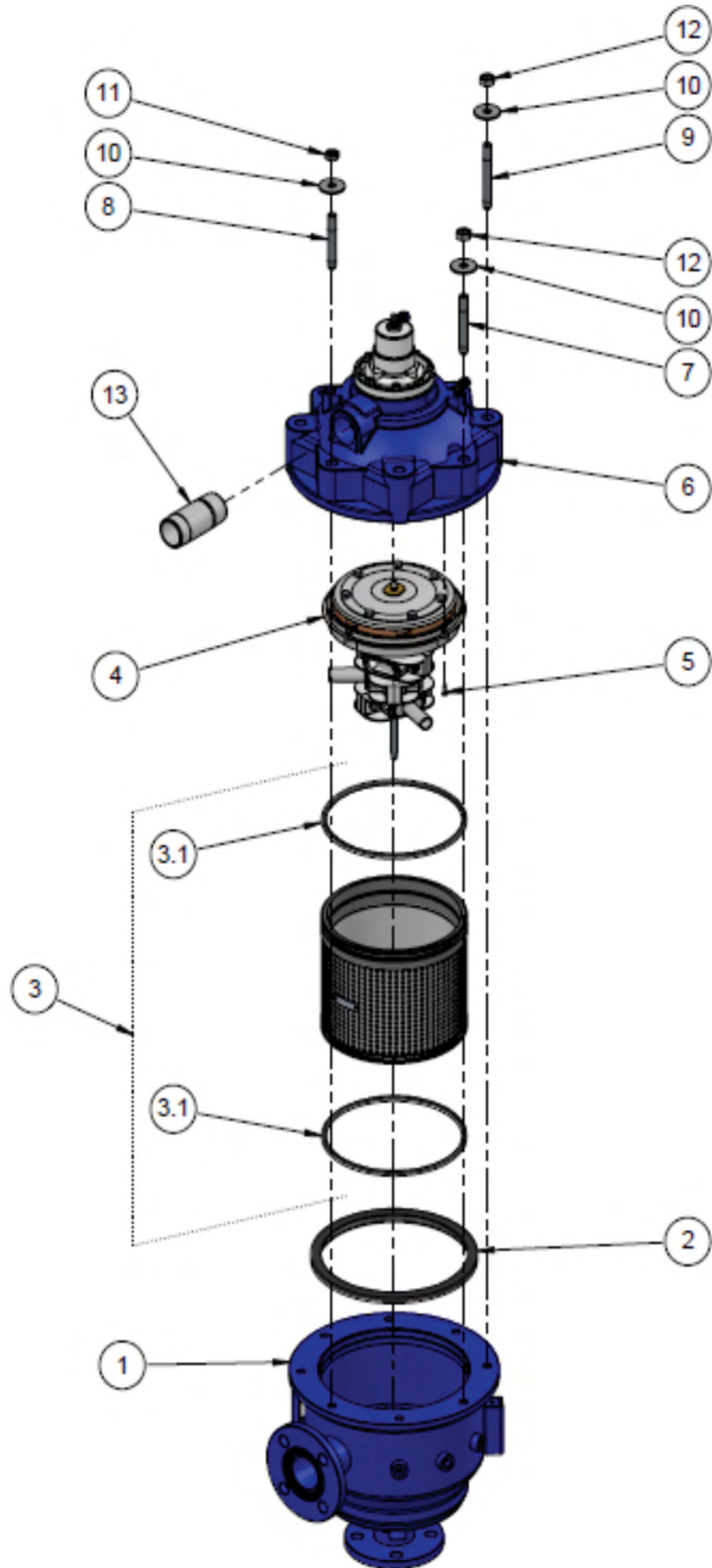


## M100-750 HYDRAULIC FILTER PARTS SCHEDULE SECTION - 3

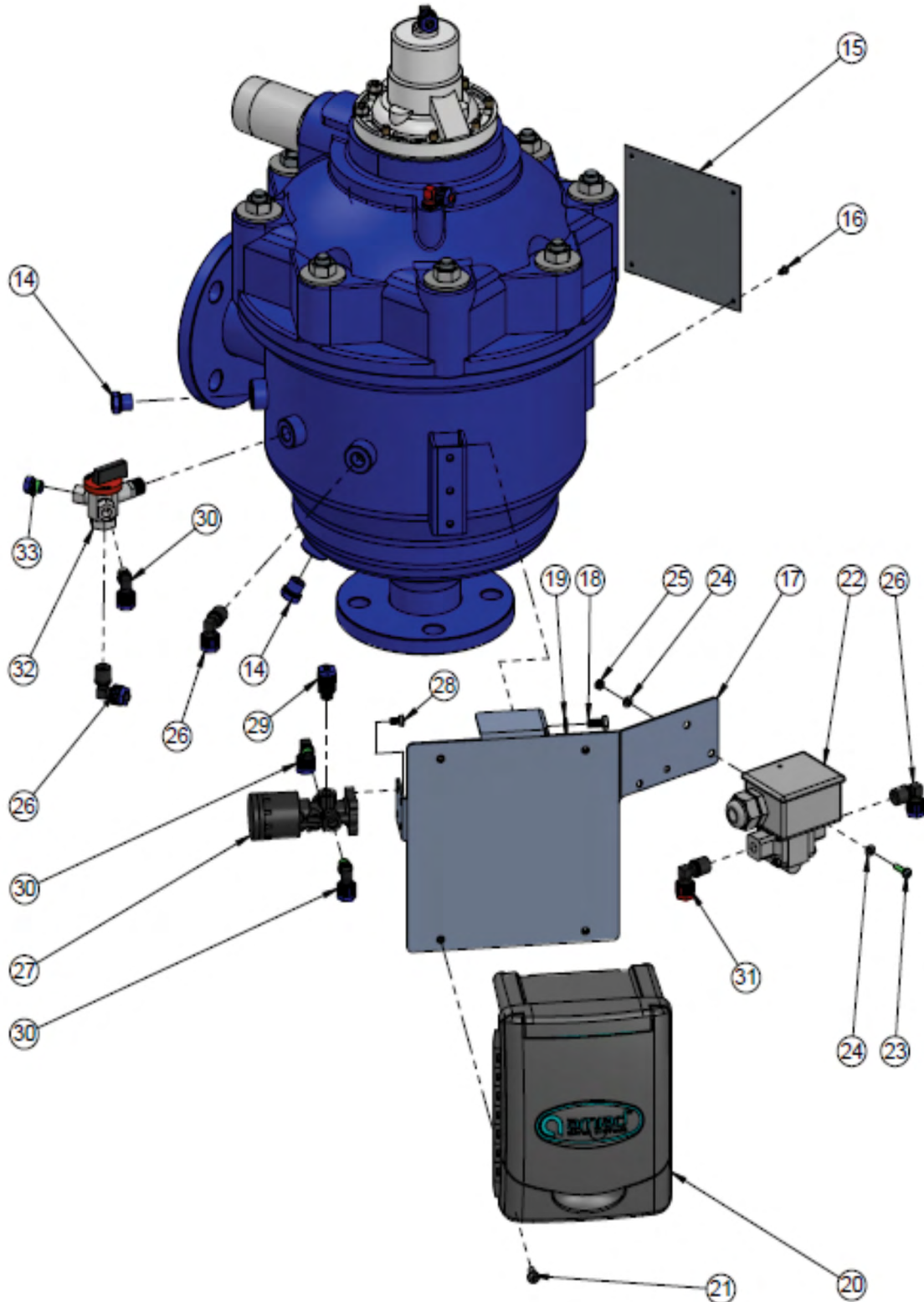
NO.	DESCRIPTION	SAP. CAT.NO.
4	Dirt Collector Assembly 3 Nozzles M102C/M103C	700190-001724
4.1	Rotor Assembly M102C/104C	700190-001739
4.1.1	Bearing Lower Male S/ST316 M x 02L/3/4(P)	710103-001349
4.1.2	Housing Bearing Rotor Brass	710103-001088
4.2	Dirt Collector Sub Asse, Bly (3N) Std M102/3	700190-001725
4.2.1	Plug Top OD 52 Dirt Collector	710103-001096
4.2.2	Dirt Collector Bottom Plug	710103-001113
4.2.4	Nozzle Suct.ID16 F/Dirt.Col.Od52	710101-000692
4.2.5	Nozzle Suction OD52 Dirt Collector	710101-000693
4.2.6	4/1" UNC x 1 1/4" HEX Bolt Partial Thrd SST304	760101-000417
4.2.7	Nylon Insert Lock Nut 1/4"UNC S/ST316 DIN985	760102-000097
4.2.8	Body Dirt Collector Od52 3Nozz	710103-001095
4.3	Partition M102C/104C	710103-000986
4.4	Shaft Dirt-Col.M102C/3C/302L/3P S/St 303	710103-001087
4.5	Phillips Flat Tapping Screw #8 x 5/8" S/St304	760101-000689



M100-750 ELECTRIC FILTER - DRAWING SECTION - 1.1



M100-750 ELECTRIC FILTER - DRAWING SECTION - 1.2



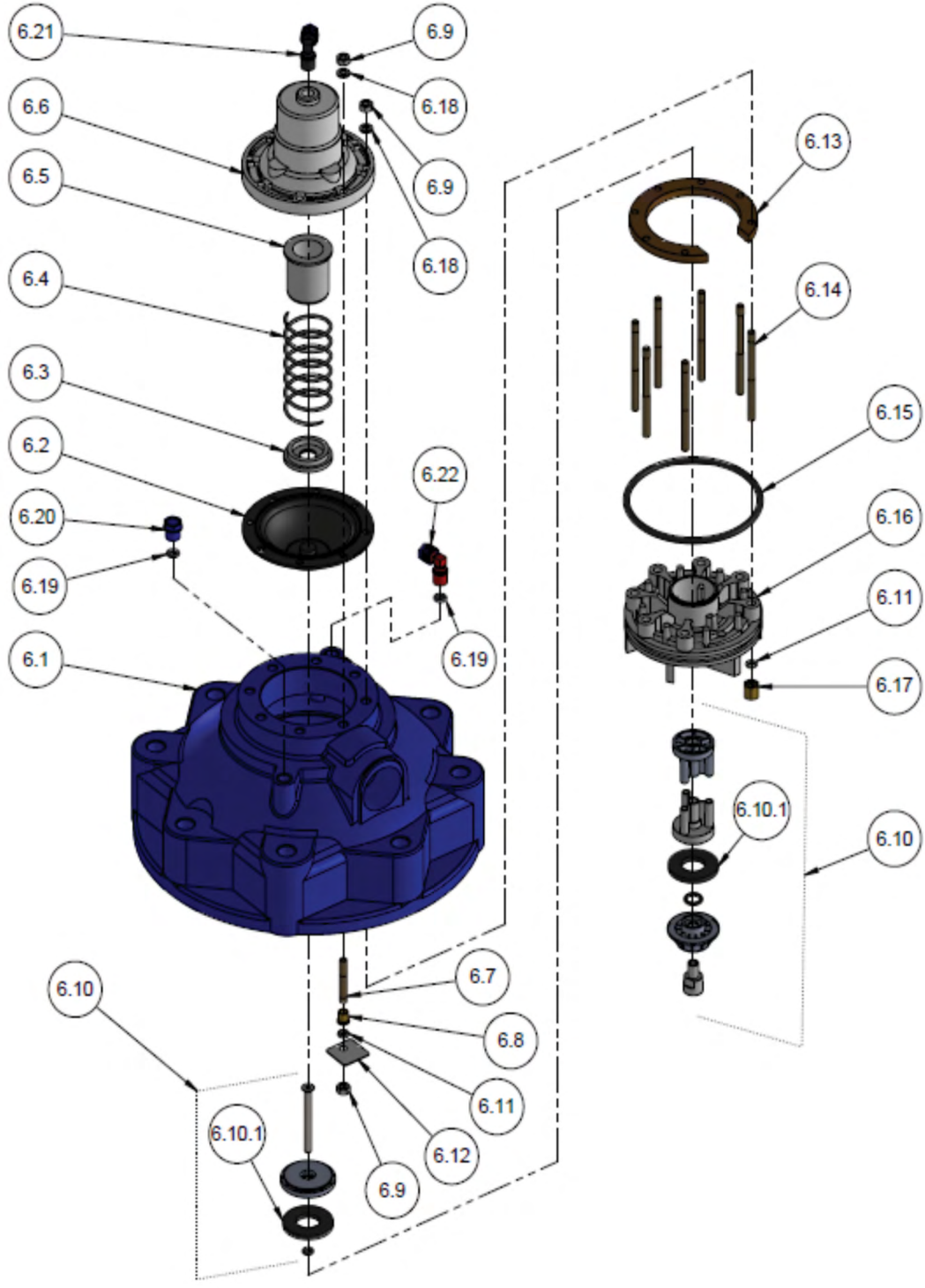
## M100-750 ELECTRIC FILTER PARTS SCHEDULE SECTION - 1

NO.	DESCRIPTION	SAP. CAT.NO.
1	Filter Housing 102 C NPT	710105-000478
1	Filter Housing 102 C ASA150	710105-000474
1	Filter Housing 103 C NPT	710105-000487
1	Filter Housing 103 C ASA150	710105-000482
2	Seal Cover M1 x 2C/X/LP/10 55-60SH NAT	770104-000156
3	Molded Fine Screen S/ST316 750SQ.CM 130 micron for M100-750	700101-000614
3.1	O-Ring Seal 674 Shore 55-60	770102-000217
4	Dirt Collector Assembly 3 Nozzles M102C/M103C	700190-001724
5	Phillips Pan Tap Screw #8 x 3/4" S/St316 B18.6.4 type AB	760101-000508
6	Cover Assembly M102C/3C(L)/4C	700190-001727
7	Stud Bolt Medium UNC1/2" x 100/25/15 S/St304	760104-000082
8	Stud Bolt Short UNC1/2" x 92/20/10 S/St304	760104-000081
9	Stud Bolt Long UNC1/2" x 108/25/15 S/St304	760104-000084
10	Flat Washer 1/2" UNC Special Zinc Plated C/St	760103-000068
11	Hex Jam Nut 1/2" UNC 304 B18.2.2	760102-000096
12	DIN934 Nut UNC Galvanize ANSI 1/2	760102-000052
13	Fitting Nipple 1.5" BSP/NPT x 105 Long PVC	780101-000932
13	PVC Nipple 1.5" BSP x 105	780101-000935
14	Plug 1/4" M Blue	720501-000190
15	Aluminum Filtomat Nameplate, CE, EN	900103-000001

## M100-750 ELECTRIC FILTER PARTS SCHEDULE SECTION - 1

NO.	DESCRIPTION	SAP. CAT.NO.
16	Rivet Blind 3 x 6 DIN7337 S/ST316	760105-000036
17	Sling for Amiad Controler AC-DC6 GLCON M103	760190-000356
18	Hex Bolt Full Th 1/4" UNC x 1/2" S/ST316	760101-000552
19	Spring Washer M6 DIN127 S/ST316	760103-000109
20	Electronic Control DC-6V 6 -Out 1-In AMC-6	720101-000477
21	Phillips Pan Machine Screw M5 x 12 304	760101-000988
22	PD Switch UE 24-011	720104-000029
23	Phillips Pan Machine Screw M4 x 15 S/ST304	760101-000510
24	Flat Washer M4 DIN125 S/ST304	760103-000092
25	Hex Nut M4 S/ST304 DIN934	760102-000083
26	L-Connector 1/4" M x 8mm Black-Blue	720501-000229
27	Solenoid Latch Valve Body S982-2L	720103-000308
27	Valve Solenoid Led 3/2NO 2.4/G1/8 24VAC/50HZ	720103-000218
28	Phillips Pan Machine Screw M5 x 8 S/ST304	760101-000530
29	Straight Connector 1/8" x 8mm Black-Blue	720501-000243
30	L-Connector 1/8" M x 8mm Black-Blue	720501-000245
31	L-Connector 1/4" M x 8mm Black-Red	720501-000198
32	SY-3 1/4" Valve BSPP	730104-000003
33	Fitting Plug 1/8" BSP Plastic Blue	720501-000197

M100-750 ELECTRIC FILTER - DRAWING SECTION - 2

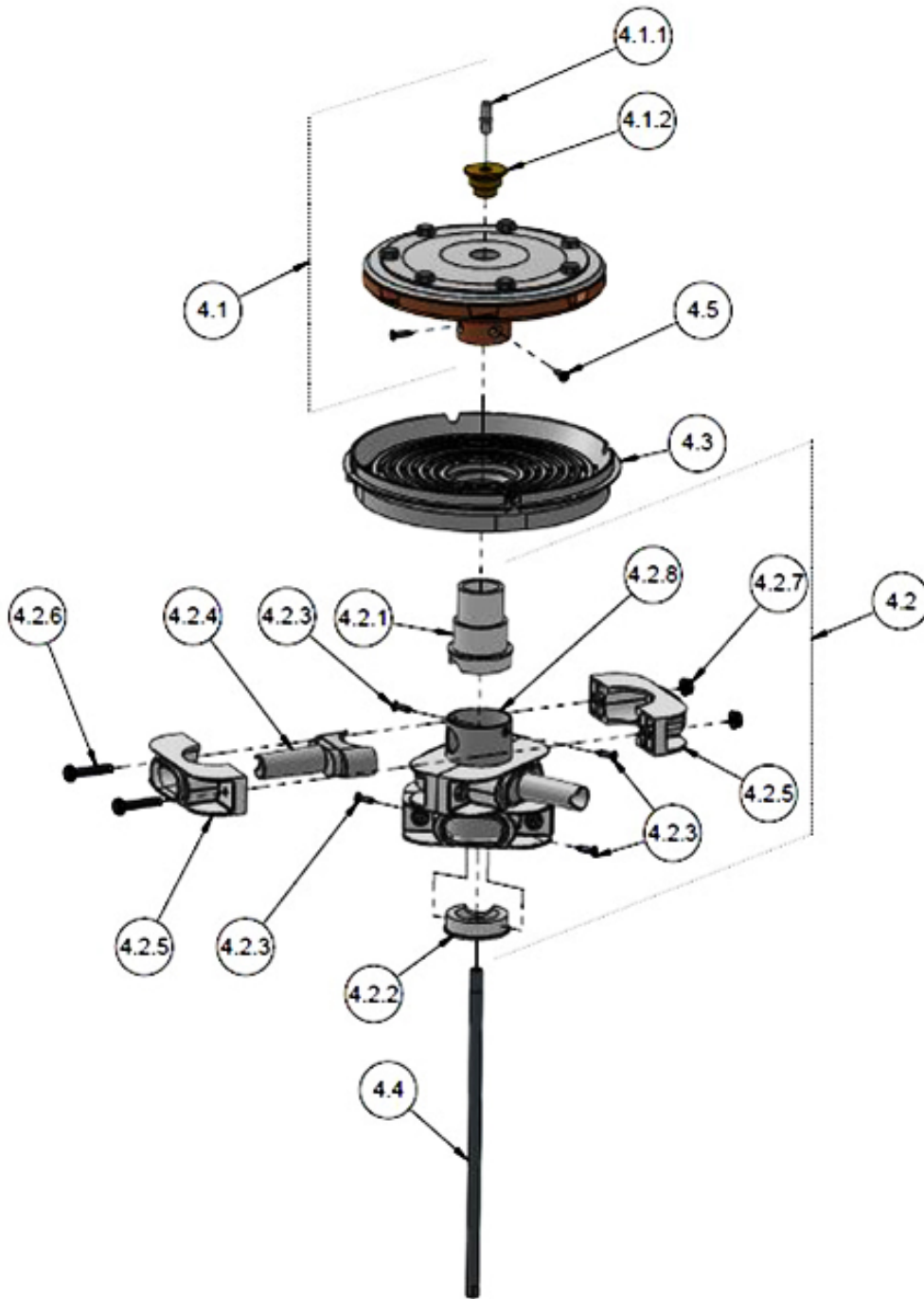




## M100-750 ELECTRIC FILTER PARTS SCHEDULE SECTION - 2

NO.	DESCRIPTION	SAP. CAT.NO.
6	Cover Assembly M102C/3C(L)/4C	700190-001727
6.1	Cover 8 Holes M10 x (X)(L)	710103-000816
6.2	Diaphragm M102C/104C Natural Rubber	770106-000028
6.3	Spring Guide M102/3(B)(C)	710101-000703
6.4	Spring S/St302	760107-000070
6.5	Plug Guide Spring M102/3	710101-000702
6.6	Diaphragm Cover M102C/104C	710103-000984
6.7	Rod Tie Short Diaphragm Cover	710103-001083
6.8	Bush Cover M10 x (L)(P) Brass	710103-000896
6.9	Hex Nut 1/4" UNC S/ST316 B18.2.2	760102-000078
6.10	Exhaust Valve Assembly (102/3/4C)	700190-001741
6.10.1	Seal Valve M102/3C NBR	770104-000133
6.11	O-Ring Seal P2-107 NBR	770102-000079
6.12	Square Washer S/St316 (30 x 30)	710103-001084
6.13	Support Rod Tie Diafhrgm Brass M102/3(B)	710103-001089
6.14	Rod Tie Long Diaphragm Cover Brass	710103-001097
6.15	O-Ring Seal (P2-351) 50 + 5 NBR	770102-000156
6.16	Seat Valve (Insert)	710103-000990
6.17	Nut Special Brass	710103-001080
6.18	Flat Washer M6 DIN125S/ST316	760103-000094
6.19	O-Ring Seals 6x3 Nbr "S"	770101-000042
6.20	Plug 1/4" M Blue	720501-000190
6.21	L-Connector 1/4" M x 8mm Black-Blue	720501-000229
6.22	L-Connector 1/4" M x 8mm Red-Blue	720501-000908

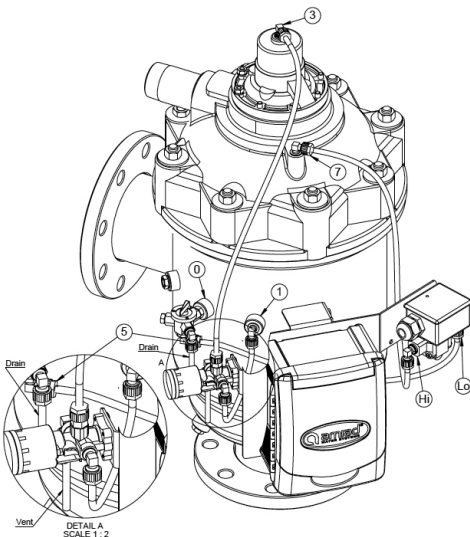
M100-750 ELECTRIC FILTER - DRAWING SECTION - 3



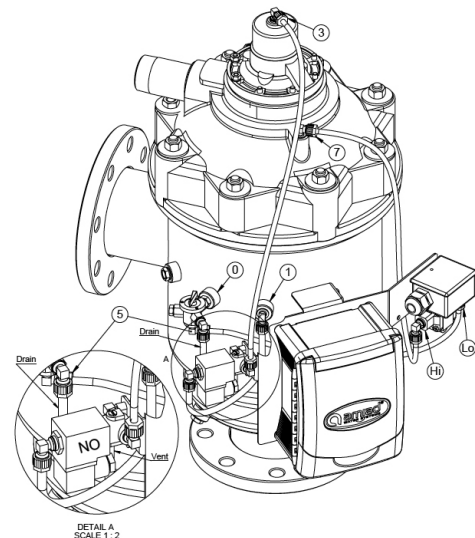
## M100-750 ELECTRIC FILTER PARTS SCHEDULE SECTION - 3

NO.	DESCRIPTION	SAP. CAT.NO.
4	Dirt Collector Assembly 3 Nozzles M102C/M103C	700190-001724
4.1	Rotor Assembly M102C/104C	700190-001739
4.1.1	Bearing Lower Male S/ST316 M x 02L/3/4(P)	710103-001349
4.1.2	Housing Bearing Rotor Brass	710103-001088
4.2	Dirt Collector Sub Asse, Bly (3N)Std M102/3	700190-001725
4.2.1	Plug Top OD 52 Dirt Collector	710103-001096
4.2.2	Dirt Collector Bottom Plug	710103-001113
4.2.4	Nozzle Suct.Id16 F/Dirt.Col.OD52	710101-000692
4.2.5	Nozzle Suction OD52 Dirt Collector	710101-000693
4.2.6	4/1" UNC x 1 1/4" Hex Bolt Partial Thrd SST304	760101-000417
4.2.7	Nylon Insert Lock Nut 1/4" UNC S/ST316 DIN985	760102-000097
4.2.8	Body Dirt Collector Od52 3Nozz	710103-001095
4.3	Partition M102C/104C	710103-000986
4.4	Shaft Dirt-Col.M102C/3C/302L/3(P S/St 303	710103-001087
4.5	Phillips Flat Tapping Screw #8 x 5/8" S/St304	760101-000689

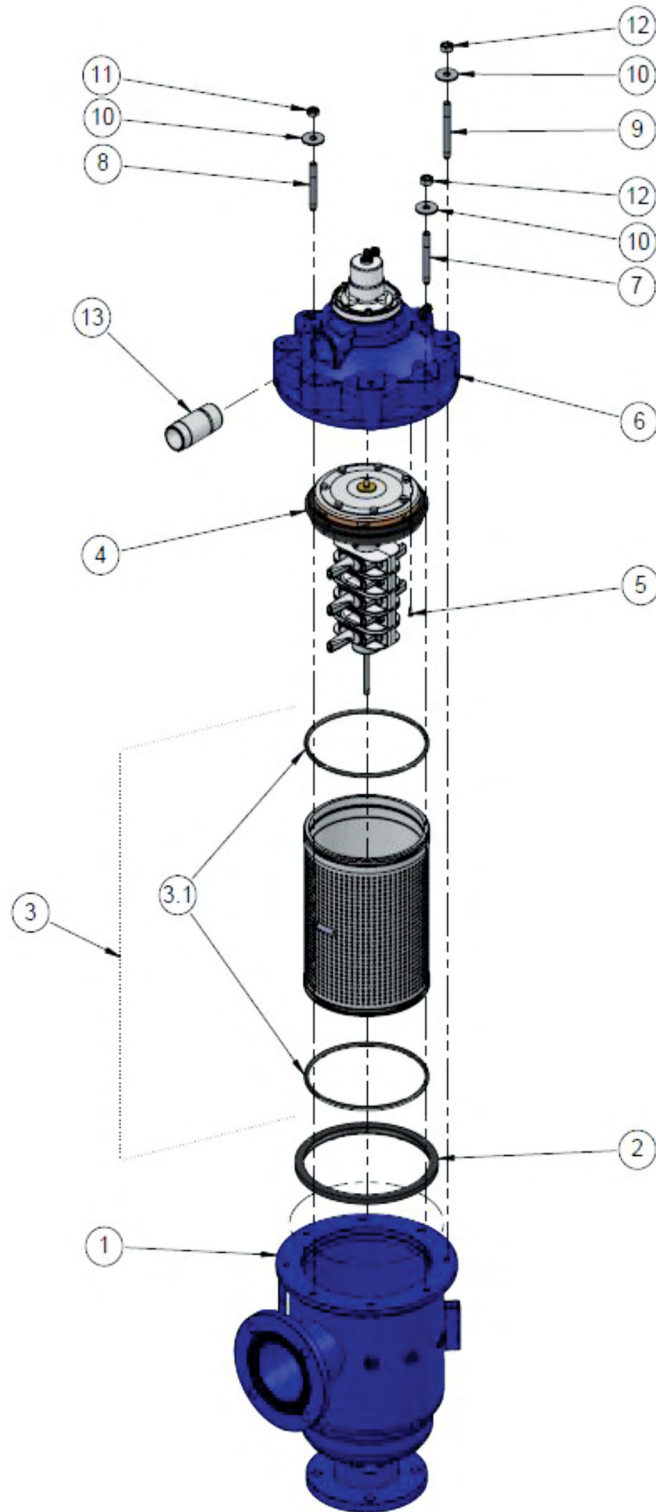
Parts Drawing - DC Model



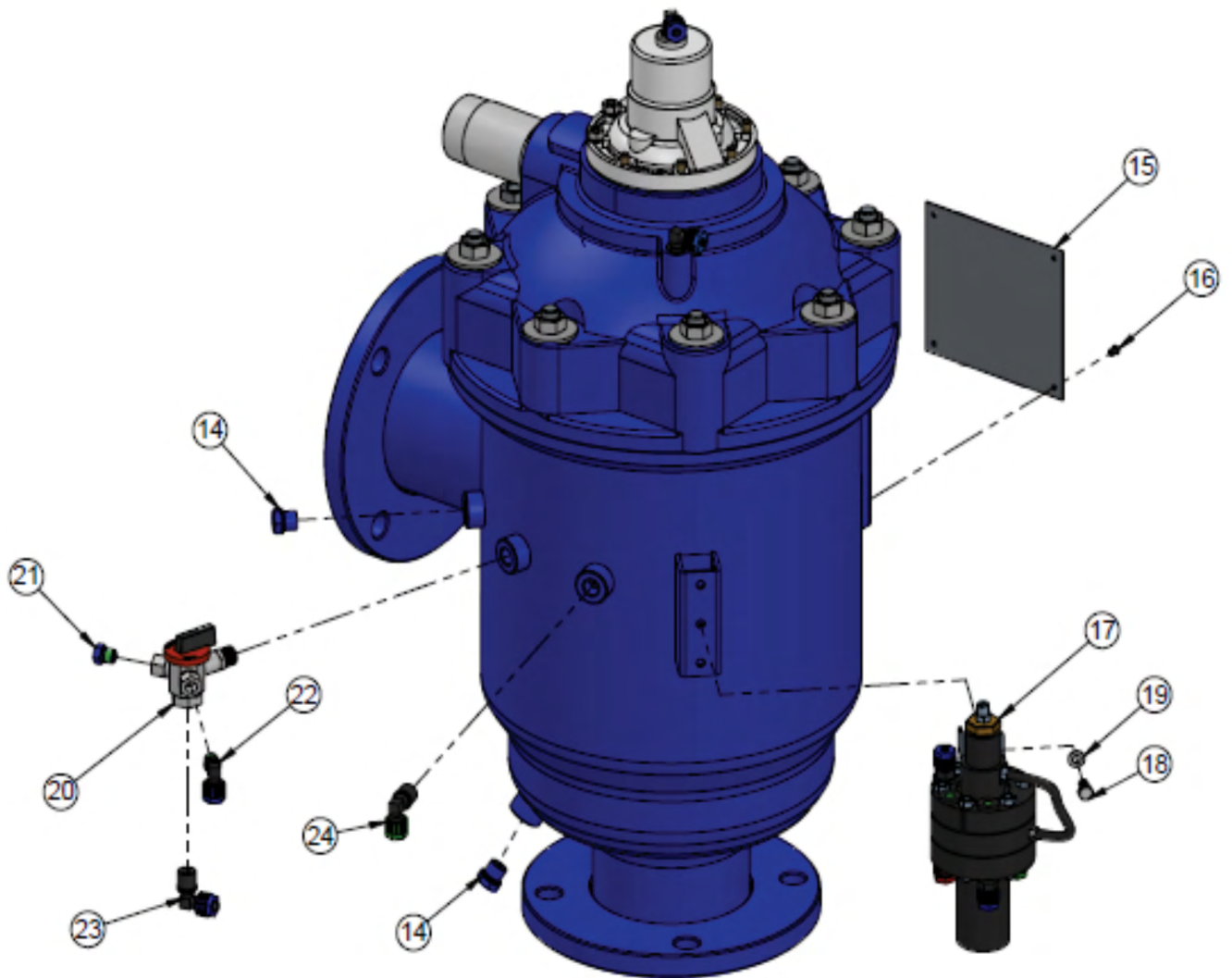
Parts Drawing - AC Model



M100-1500 HYDRAULIC FILTER - DRAWING SECTION - 1.1



M100-1500 HYDRAULIC FILTER - DRAWING SECTION - 1.2



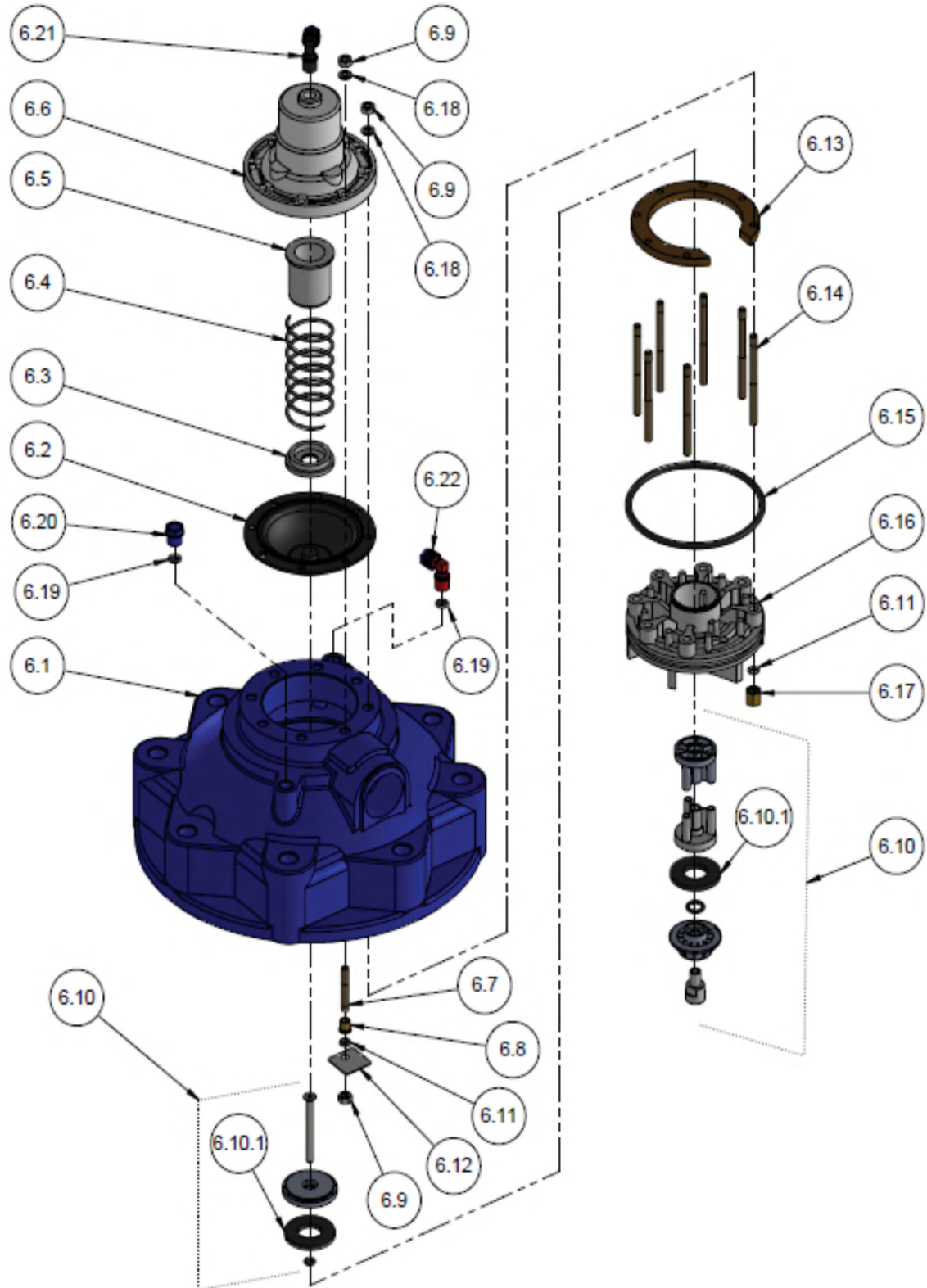
## M100-1500 HYDRAULIC FILTER PARTS SCHEDULE SECTION - 1

NO.	DESCRIPTION	SAP. CAT.NO.
1	Filter Housing 103 CL NPT	710105-000498
1	Filter Housing 103 CL ASA150	710105-000494
1	Filter Housing 104 C ASA150	710105-000505
2	Seal Cover M1 x 2C/X/LP/10 55-60SH NAT	770104-000156
3	Molded Fine Screen S/ST316 1500SQ 130 micron for M100-1500	700101-000631
3.1	O-Ring Seal 674 Shore 55-60	770102-000217
4	Dirt Collector Assembly 5 Nozzles M103C(L)/104C	700190-001756
5	Phillips Pan Tap Screw #8 x 3/4" S/St316 B18.6.4 type AB	760101-000508
6	Cover Assembly M102C/3C(L)/4C	700190-001727
7	Stud Bolt Medium UNC1/2" x 100/25/15 S/St304	760104-000082
8	Stud Bolt Short UNC1/2" x 92/20/10 S/St304	760104-000081
9	Stud Bolt Long UNC1/2" x 108/25/15 S/St304	760104-000084
10	Flat Washer 1/2" UNC Special Zinc Plated C/St	760103-000068
11	Hex Jam Nut 1/2" UNC 304 B18.2.2	760102-000096
12	Nut UNC Galvanize ANSI 1/2"	760102-000052
13	Fitting Nipple 1.5" BSP/NPT x 105 Long PVC	780101-000932
14	Plug 1/4" M Blue	720501-000190
15	Aluminum Filtomat Nameplate, CE, EN	900103-000001
16	Rivet Blind 3 x 6 DIN7337 S/ST316	760105-000036
17	Rinse Controller Short M100 Piston Model	700190-001522

## M100-1500 HYDRAULIC FILTER PARTS SCHEDULE SECTION - 1

NO.	DESCRIPTION	SAP. CAT.NO.
18	Hex Bolt Full Thread 1/4" UNC x 1/2" S/ST316	760101-000552
19	Spring Washer M6 DIN127 S/ST316	760103-000109
20	SY-3 1/4" Valve BSPP	730104-000003
21	Fitting Plug 1/8" BSP Plastic Blue	720501-000197
22	L-Connector 1/8" x 8mm Black-Blue	720501-000245
23	L-Connector 1/4" M x 8mm Black-Blue	720501-000229
24	L-ConnectoR 1/4" M x 8mm Black-Green	720501-000205

M100-1500 HYDRAULIC FILTER - DRAWING SECTION - 2

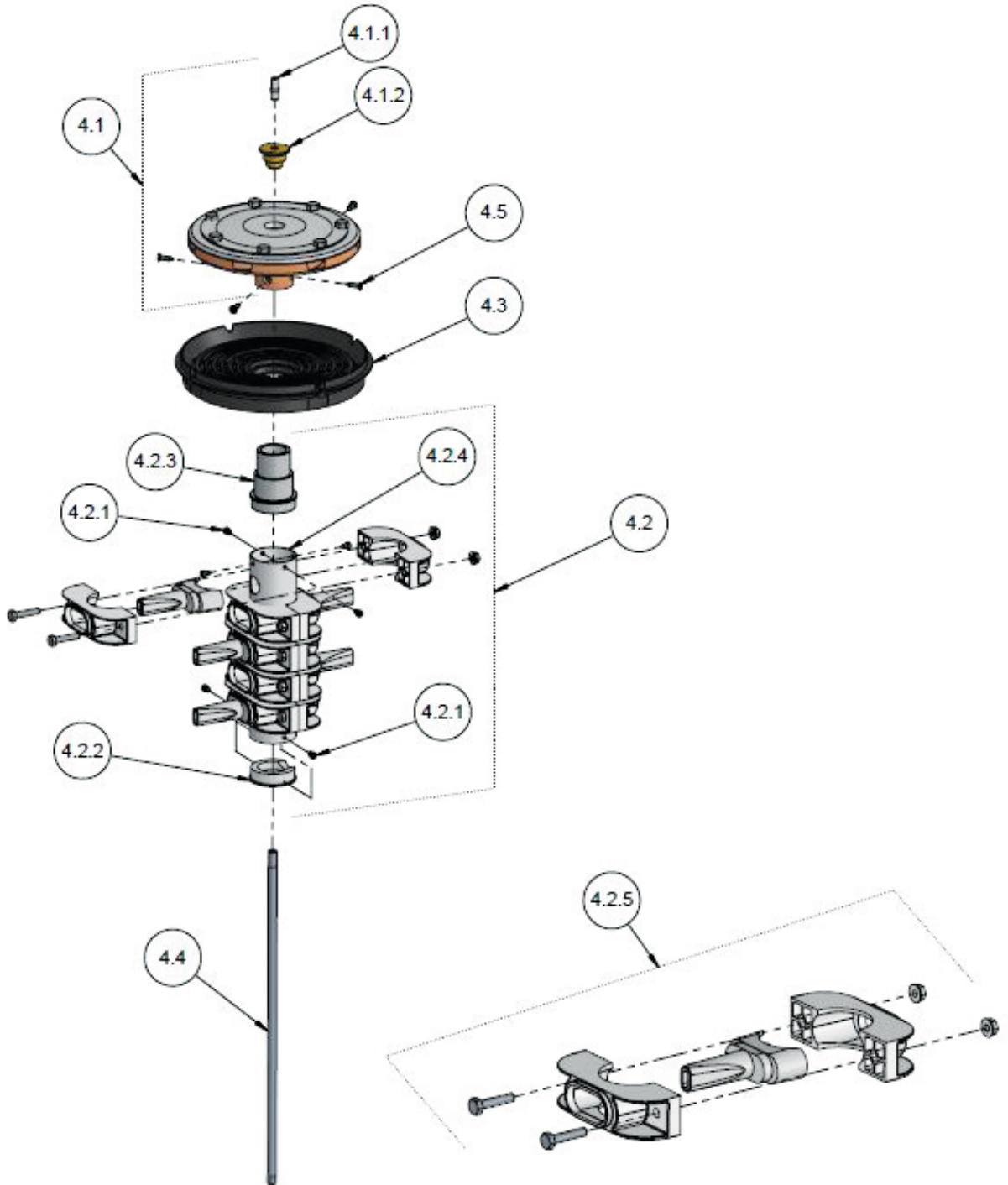




## M100-1500 HYDRAULIC FILTER PARTS SCHEDULE SECTION - 2

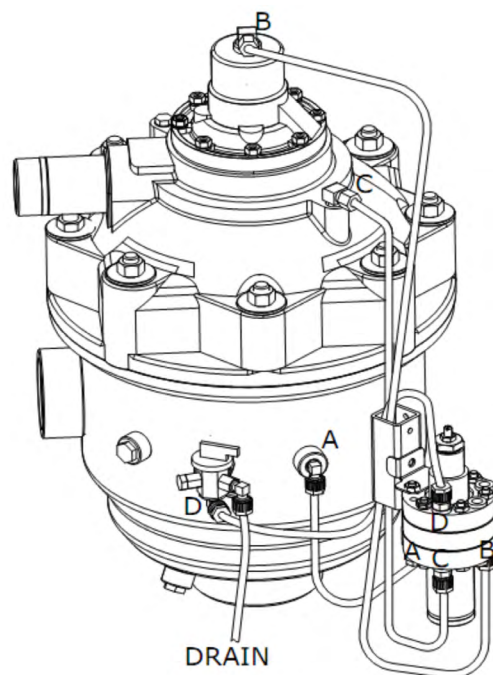
NO.	DESCRIPTION	SAP. CAT.NO.
6	Cover Assembly M102C/3C(L)/4C	700190-001727
6.1	Cover 8 Holes M10 x (X)(L)	710103-000816
6.2	Diaphragm M102C/104C Natural Rubber	770106-000028
6.3	Spring Guide M102/3(B)(C)	710101-000703
6.4	Spring S/St302	760107-000070
6.5	Plug Guide Spring M102/3	710101-000702
6.6	Diaphragm Cover M102C/104C	710103-000984
6.7	Rod Tie Short Diaphragm Cover	710103-001083
6.8	Bush Cover M10 x (L)(P) Brass	710103-000896
6.9	Hex Nut 1/4" UNC S/ST316 B18.2.2	760102-000078
6.10	Exhaust Valve Assembly (102/3/4C)	700190-001741
6.10.1	Seal Valve M102/3C NBR	770104-000133
6.11	O-Ring Seal P2-107 NBR	770102-000079
6.12	Square Washer S/St316 (30 x 30)	710103-001084
6.13	Support Rod Tie Diaphragm Brass M102/3(B)	710103-001089
6.14	Rod Tie Long Diaphragm Cover Brass	710103-001097
6.15	O-Ring Seal (P2-351) 50+5 NBR	770102-000156
6.16	Seat Valve (Insert)	710103-000990
6.17	Nut Special Brass	710103-001080
6.18	Flat Washer M6 DIN125S/ST316	760103-000094
6.19	O-Ring Seals 6 x 3 NBR "S"	770101-000042
6.20	Plug 1/4" M Blue	720501-000190
6.21	L-Connector 1/4" M x 8mm Black-Blue	720501-000229
6.22	L-Connector 1/4" M x 8mm Red-Blue	720501-000908

M100-1500 HYDRAULIC FILTER - DRAWING SECTION - 3

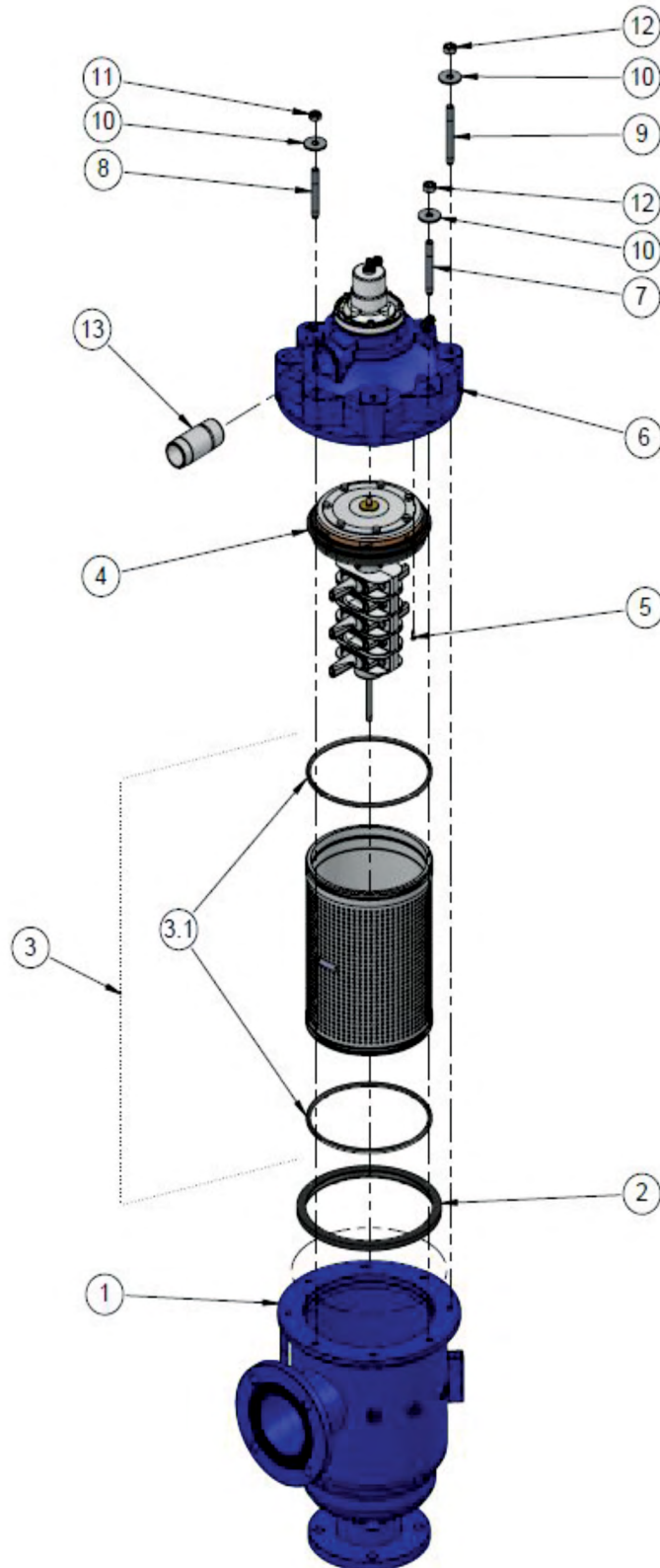


## M100-1500 HYDRAULIC FILTER PARTS SCHEDULE SECTION - 3

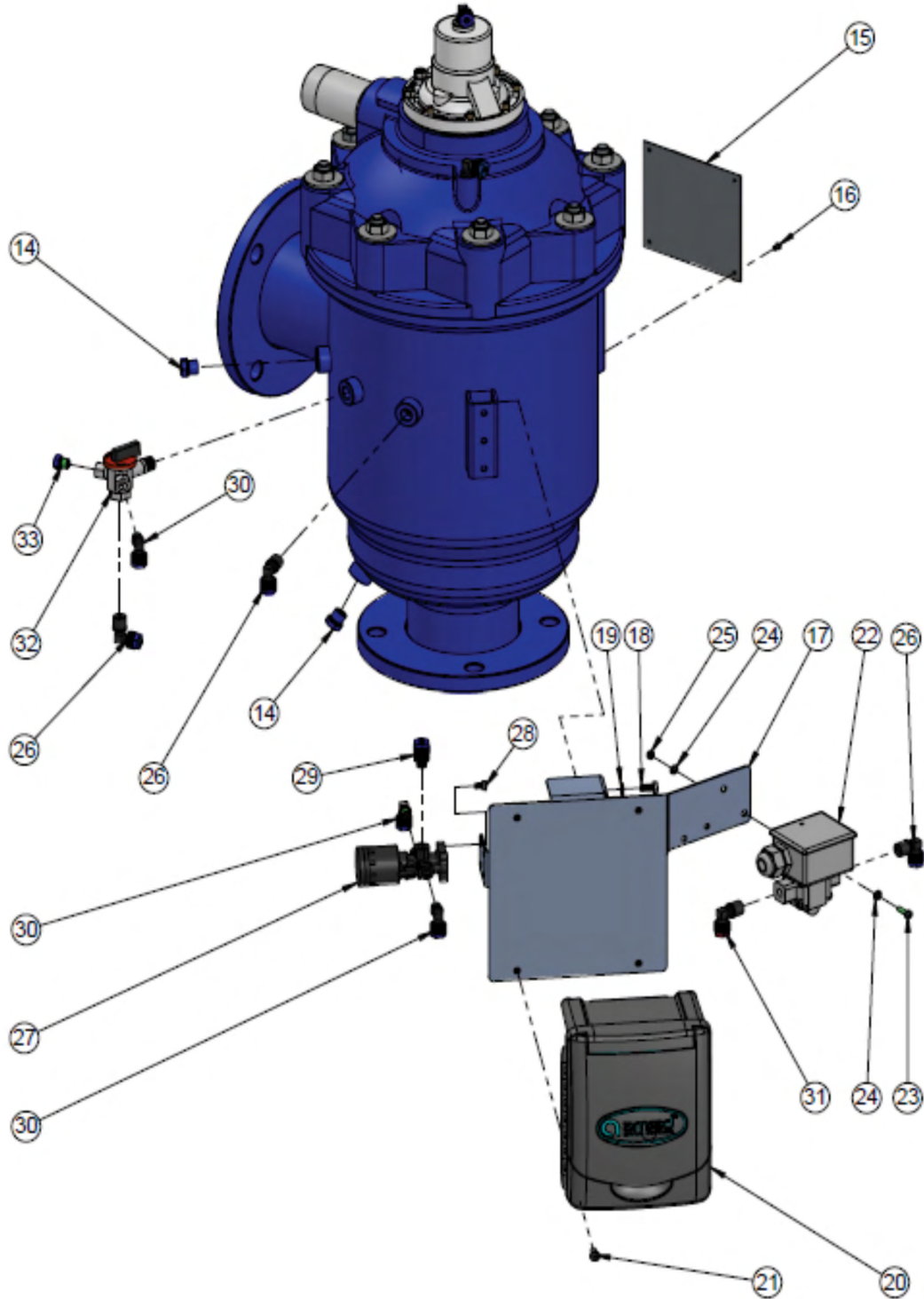
NO.	DESCRIPTION	SAP. CAT.NO.
4	Dirt Collector Assembly 5 Nozzles M103C(L)/104C	700190-001756
4.1	Rotor Assembly M102C/104C	700190-001739
4.1.1	Bearing Lower Male S/ST316 M x 02L/3/4(P)	710103-001349
4.1.2	Housing Bearing Rotor Brass	710103-001088
4.2	Dirt Collector Sub Assembly 5 Nozzles M103C(L)/104C	700190-001766
4.2.1	Phillips Pan Tap Screw #8 x 3/8" S/St316	760101-000688
4.2.2	Dirt Collector Bottom Plug	710103-001113
4.2.3	Plug Top Od 52 Dirt Collector	710103-001096
4.2.4	Body Dirt Collector OD52 5 Nozzles S/St316 M103CL/104C	710103-001114
4.2.5	Nozzle Suction+Clamps (A)OD52 STD M103C(L)/104C	700190-001608
4.3	Partition M102C/104C	710103-000986
4.4	Shaft Dirt Collector M104 S/St303	710103-001115
4.5	Phillips Flat Tapping Screw #8 x 5/8" S/St304	760101-000689



M100-1500 ELECTRIC FILTER - DRAWING SECTION - 1.1



M100-1500 ELECTRIC FILTER - DRAWING SECTION - 1.2



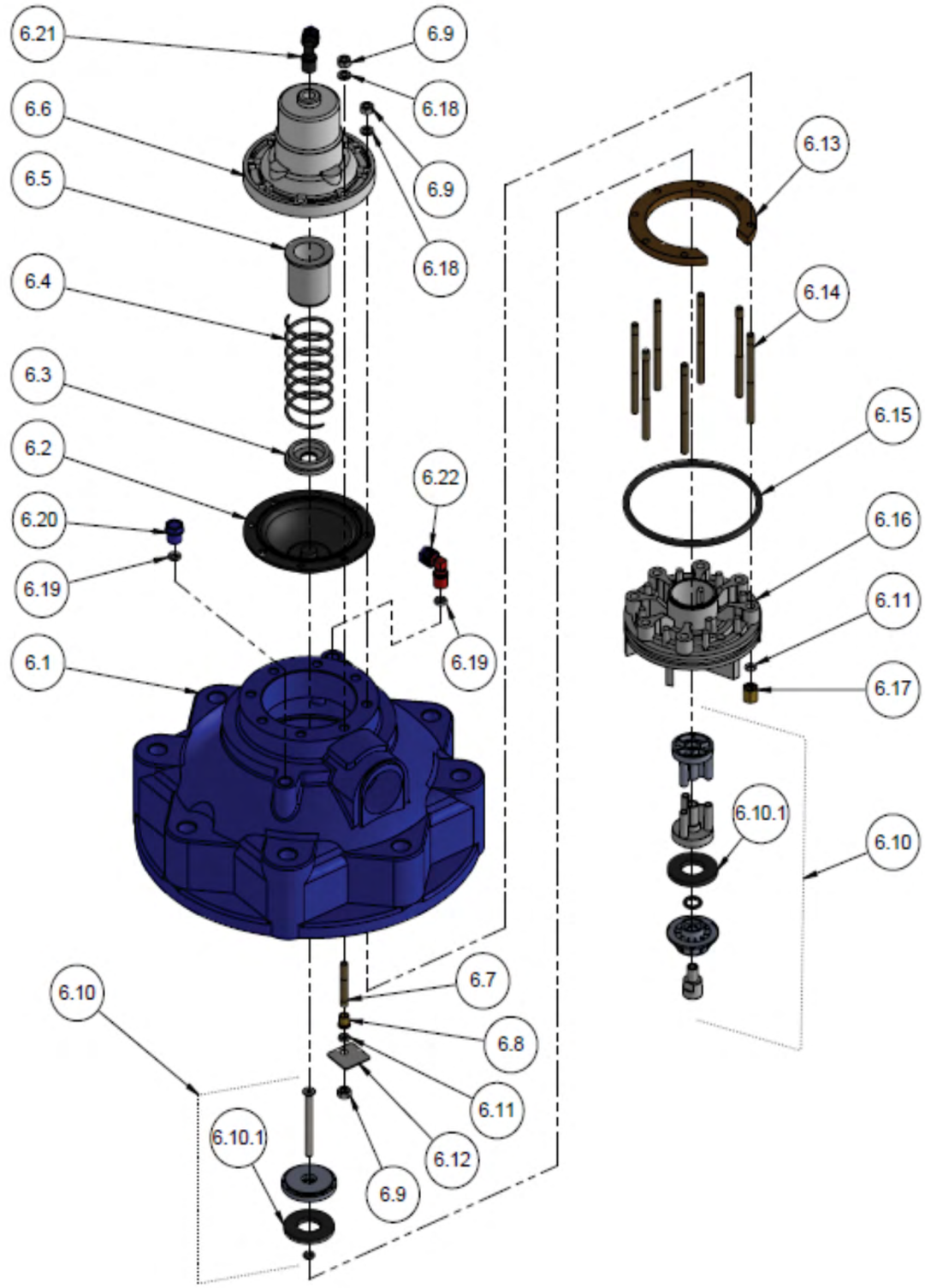
## M100-1500 ELECTRIC FILTER PARTS SCHEDULE SECTION - 1

NO.	DESCRIPTION	SAP. CAT.NO.
1	Filter Housing 103 CL NPT	710105-000498
1	Filter Housing 103 CL ASA150	710105-000494
1	Filter Housing 104 C ASA150	710105-000505
2	Seal Cover M1 x 2C/X/LP/10 55-60SH NAT	770104-000156
3	Molded Fine Screen S/ST316 1500SQ 130 micron for M100-1500	700101-000631
3.1	O-Ring Seal 674 Shore 55-60	770102-000217
4	Dirt Collector Assembly 5 Nozzles M103C(L)/104C	700190-001756
5	Phillips Pan Tap Screw #8 x 3/4" S/St316 B18.6.4 type AB	760101-000508
6	Cover Assembly M102C/3C(L)/4C	700190-001727
7	Stud Bolt Medium UNC1/2" x 100/25/15 S/St304	760104-000082
8	Stud Bolt Short UNC1/2" x 92/20/10 S/St304	760104-000081
9	Stud Bolt Long UNC1/2" x 108/25/15 S/St304	760104-000084
10	Flat Washer 1/2" UNC Special Zinc Plated C/St	760103-000068
11	Hex Jam Nut 1/2" UNC 304 B18.2.2	760102-000096
12	Nut UNC Galvanize ANSI 1/2"	760102-000052
13	Fitting Nipple 1.5" BSP/NPT x 105 Long PVC	780101-000932
13	PVC Nipple 1.5" BSP x 105	780101-000935
14	Plug 1/4" M Blue	720501-000190
15	Aluminum Filtomat Nameplate, CE, EN	900103-000001
16	Rivet Blind 3 x 6 DIN7337 S/ST316	760105-000036

## M100-1500 ELECTRIC FILTER PARTS SCHEDULE SECTION - 1

NO.	DESCRIPTION	SAP. CAT.NO.
17	Sling For AMIAD Controller AC-DC6 GLCON M103	760190-000356
18	Hex Bolt Full Thread 1/4" UNC x 1/2" S/ST316	760101-000552
19	Spring Washer M6 DIN127 S/ST316	760103-000109
20	Electronic Control DC-6V 6-Out 1-In AMC-6	720101-000477
21	Phillips Pan Machine Screw M5 x 12 304	760101-000988
22	PD Switch UE 24-011	720104-000029
23	Phillips Pan Machine Screw M4 x 15 S/ST304	760101-000510
24	Flat Washer M4 DIN125 S/ST304	760103-000092
25	Hex Nut M4 S/ST304 DIN934	760102-000083
26	L-Connector 1/4" M x 8mm Black-Blue	720501-000229
27	Solenoid Latch Valve Body S982-2L	720103-000308
27	Valve Solenoid LED 3/2NO 2.4/G1/8 24VAC/50HZ	720103-000218
28	Phillips Pan Machine Screw M5 x 8 S/ST304	760101-000530
29	Straight Connector 1/8" x 8mm Black-Blue	720501-000243
30	L-Connector 1/8" M x 8mm Black-Blue	720501-000245
31	L-Connector 1/4" M x 8mm Black-Red	720501-000198
32	SY-3 1/4" Valve BSPP	730104-000003
33	Fitting Plug 1/8" BSP Plastic Blue	720501-000197

M100-1500 ELECTRIC FILTER - DRAWING SECTION - 2

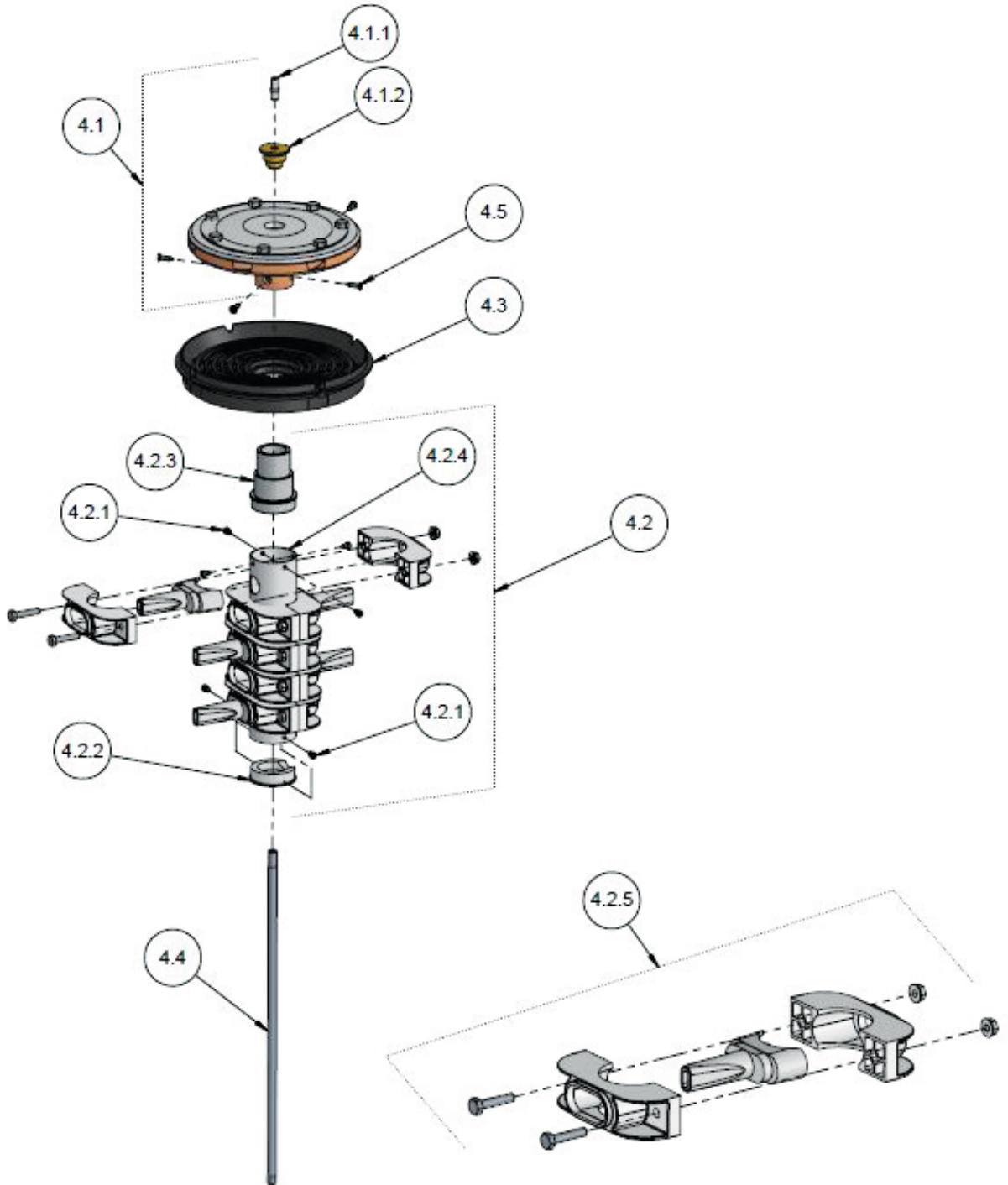




## M100-1500 ELECTRIC FILTER PARTS SCHEDULE SECTION - 2

NO.	DESCRIPTION	SAP. CAT.NO.
6	Cover Assembly M102C/3C(L)/4C	700190-001727
6.1	Cover 8 Holes M10 x (X)(L)	710103-000816
6.2	Diaphragm M102C/104C Natural Rubber	770106-000028
6.3	Spring Guide M102/3(B)(C)	710101-000703
6.4	Spring S/St302	760107-000070
6.5	Plug Guide Spring M102/3	710101-000702
6.6	Diaphragm Cover M102C/104C	710103-000984
6.7	Rod Tie Short Diaphragm Cover	710103-001083
6.8	Bush Cover M10 x (L)(P) Brass	710103-000896
6.9	Hex Nut 1/4" UNC S/ST316 B18.2.2	760102-000078
6.10	Exhaust Valve Assembly (102/3/4C)	700190-001741
6.10.1	Seal Valve M102/3C NBR	770104-000133
6.11	O-Ring Seal P2-107 NBR	770102-000079
6.12	Square Washer S/St316 (30 x 30)	710103-001084
6.13	Support Rod Tie Diafhrgm Brass M102/3(B)	710103-001089
6.14	Rod Tie Long Diaphragm Cover Brass	710103-001097
6.15	O-Ring Seal (P2-351) 50 + 5 NBR	770102-000156
6.16	Seat Valve (Insert)	710103-000990
6.17	Nut Special Brass	710103-001080
6.18	Flat Washer M6 DIN125S/ST316	760103-000094
6.19	O-Ring Seals 6 x 3 NBR "S"	770101-000042
6.20	Plug 1/4" M Blue	720501-000190
6.21	L-Connector 1/4" M x 8mm Black-Blue	720501-000229
6.22	L-Connector 1/4" M x 8mm Red-Blue	720501-000908

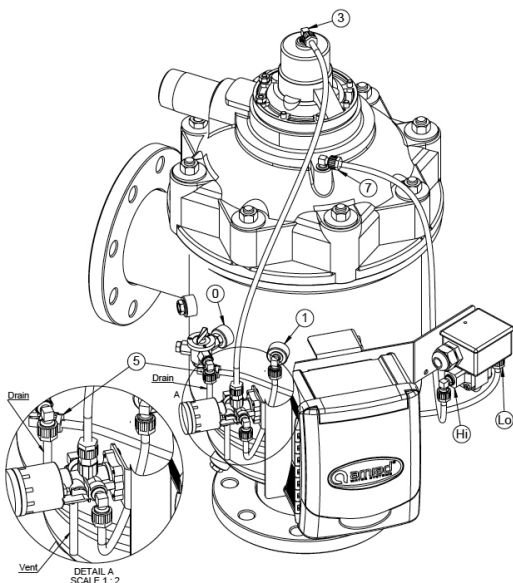
M100-1500 ELECTRIC FILTER - DRAWING SECTION - 3



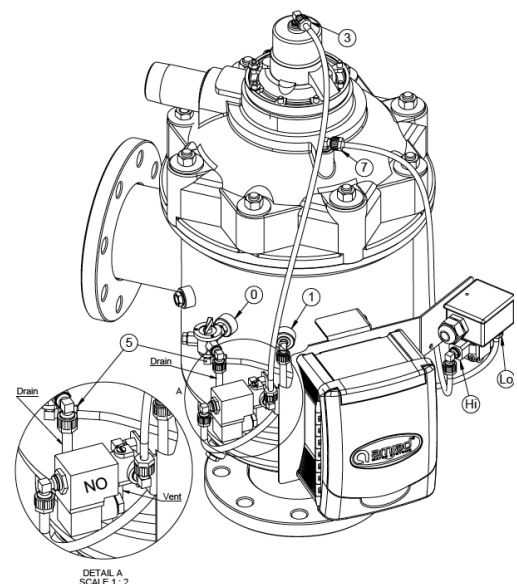
## M100-1500 ELECTRIC FILTER PARTS SCHEDULE SECTION - 3

NO.	DESCRIPTION	SAP. CAT.NO.
4	Dirt Collector Assembly 5 Nozzles M103C(L)/104C	700190-001756
4.1	Rotor Assembly M102C/104C	700190-001739
4.1.1	Bearing Lower Male S/ST316 M x 02L/3/4(P)	710103-001349
4.1.2	Housing Bearing Rotor Brass	710103-001088
4.2	Dirt Collector Sub Assembly 5 Nozzles M103C(L)/104C	700190-001766
4.2.1	Phillips Pan Tap Screw #8 x 3/8" S/St316	760101-000688
4.2.2	Dirt Collector Bottom Plug	710103-001113
4.2.3	Plug Top Od 52 Dirt Collector	710103-001096
4.2.4	Body Dirt Collector OD52 5 Nozzles S/St316 M103CL/104C	710103-001114
4.2.5	Nozzle Suction + Clamps (A)OD52 STD M103C(L)/104C	700190-001608
4.3	Partition M102C/104C	710103-000986
4.4	Shaft Dirt Collector M104 S/St303	710103-001115
4.5	Phillips Flat Tapping Screw #8 x 5/8" S/St304	760101-000689

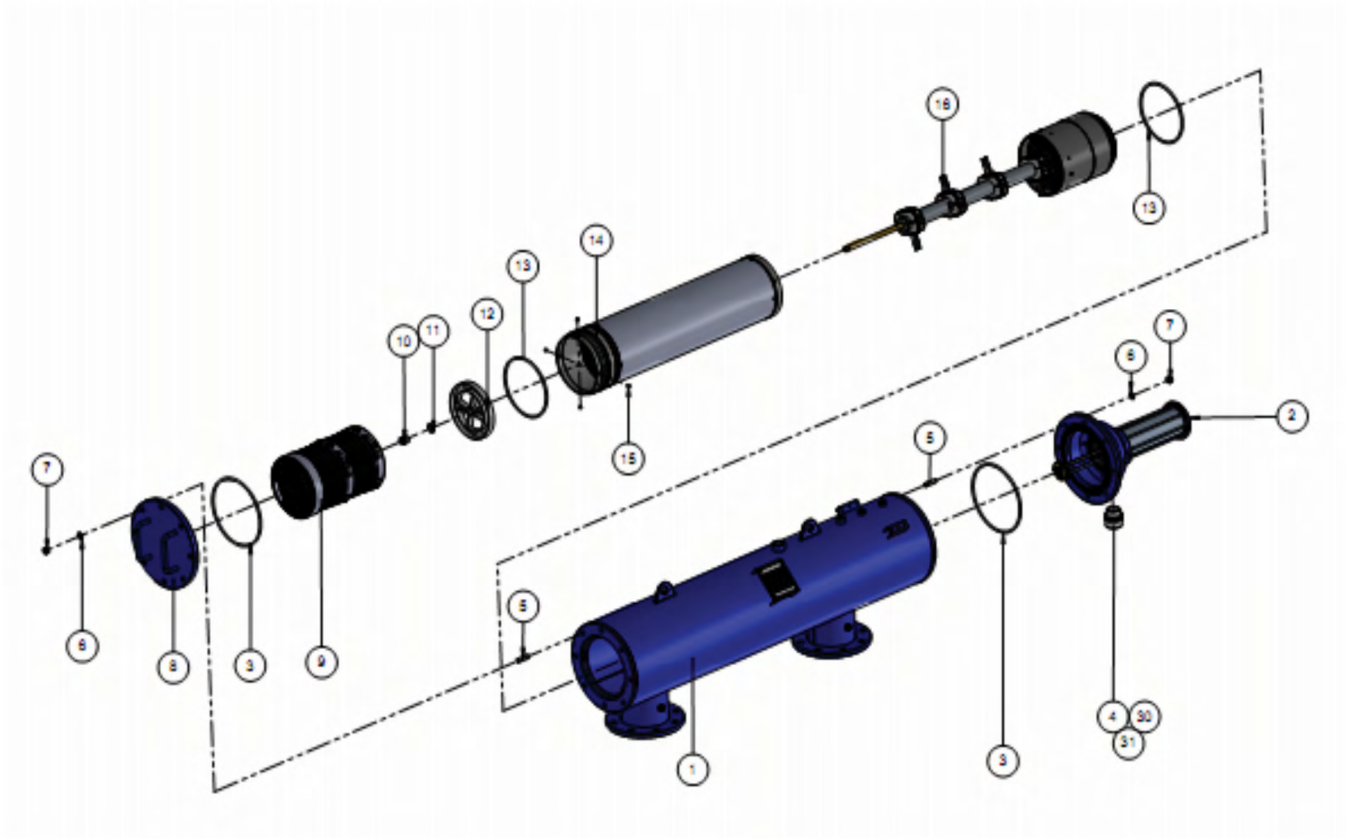
Parts Drawing - DC Model



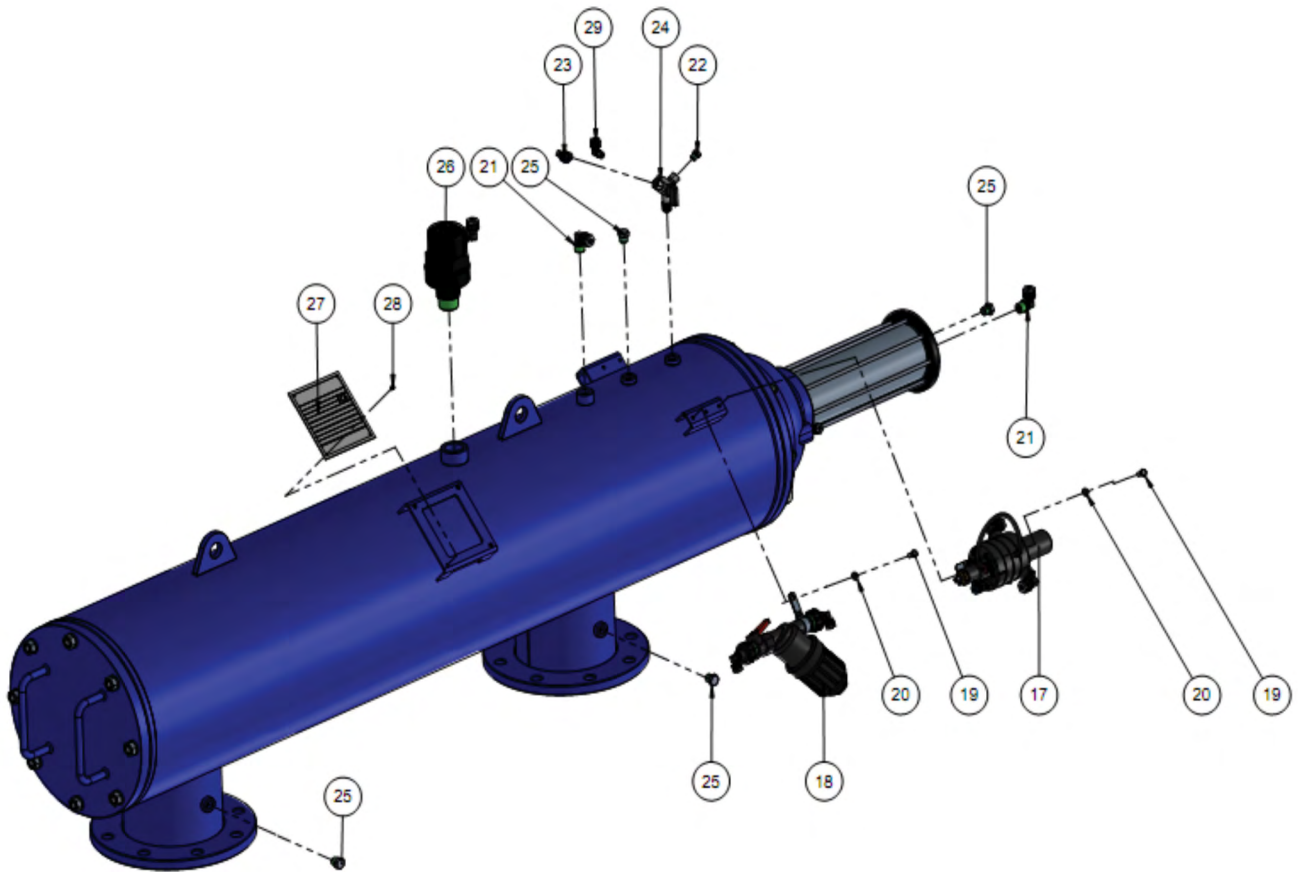
Parts Drawing - AC Model



M100-4500 HYDRAULIC FILTER - DRAWING SECTION - 1.1



M100-4500 HYDRAULIC FILTER - DRAWING SECTION - 1.2



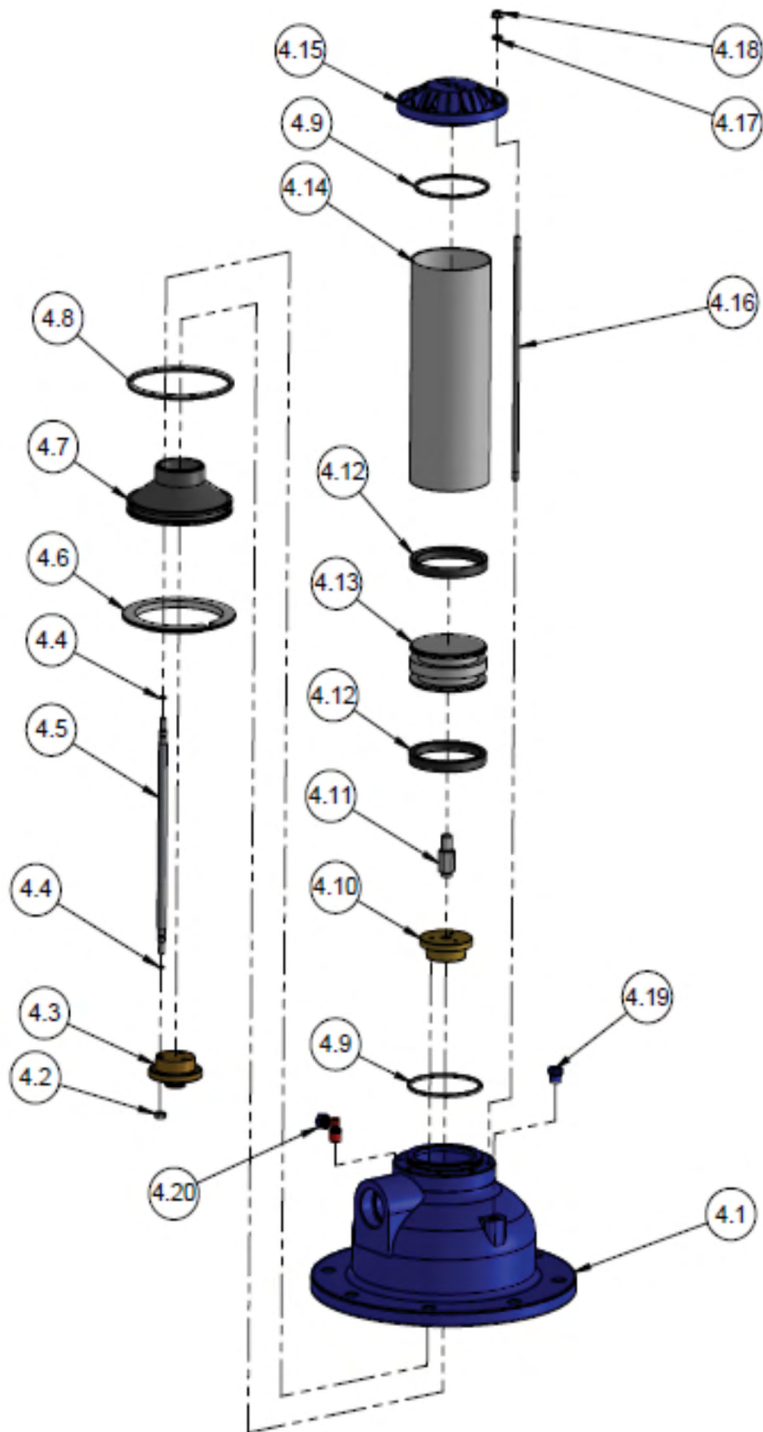
## M100-4500 HYDRAULIC FILTER PARTS SCHEDULE SECTION - 1

NO.	DESCRIPTION	SAP. CAT.NO.
1	HousinG M104-LPN ASA150	710105-004025
1	Filter Housing 106 LP ASA150	710105-000345
2	Cover ASSY CI + Piston + Valve Piston Mod	700190-001541
3	O-RING P2-448 SAF-6000 Drive Unit Adaptor NBR	770102-000174
4	Reducing Nipple 2" x 1 1/2" PP	780101-000611
5	Stud Bolt 1/2" UNC x 50 Long 20/12 S/ST303	760104-000075
6	Flat Washer M12 DIN125 Zinc Plated C/ST	760103-000077
7	Hex NUT 1/2" UNC Zinc Plated C/ST B18.2.2	760102-000052
8	Cover M1XX Epoxy PKPK-5010	710105-000362
9	Injected Coarse SCRNS ASSY M104/6 LP/XLP	700190-004630
10	Bearing Upper for Screen MX03L/16P S/ST316	710103-001424
11	Ring Spacer for Bearing Assembly S/ST 316	710103-001369
12	Handle Screen type 1 MOD, MX02-6L(P)	710101-000716
13	O-Ring Seal 674 SH 55-60 Soft Nit. MX2L/NAT	770102-000217
14	Molded ST316 4500 SQ.CM S300mic for M100-4500	700101-000553
15	U.CUT Phillips Flat Machined SCRW #10UNCX5/16" 304	760101-000498
16	DC ASSY 6NOZZ + Patition STD M104 x LP/110P	700190-001508
17	Rinse Control Assembly Long M1XX PISTON	700190-001520
18	Kit Mini Filter	700190-001584
19	Hex Bolt Full Thread 1/4" UNCX 1/2" S/ST316	760101-000552

## M100-4500 HYDRAULIC FILTER PARTS SCHEDULE SECTION - 1

NO.	DESCRIPTION	SAP. CAT.NO.
20	Spring Washer M6 DIN127 S/ST316	760103-000109
21	L-Connector 3/8" M x 12mm Black-Blue	720501-000199
22	Plug 1/8" M Blue	720501-000197
23	L-Connector 1/8" M x 8mm Black-Blue	720501-000245
24	SY-3 1/4" Valve BSPP	730104-000003
25	PLUG 1/4" M Blue	720501-000190
26	1" D-040-P BSPT Air Valve Barak DR 3/8"	730108-000120
27	Nameplate Filtomat CE Aluminium EN	900103-000001
28	Rivet Blind 3 x 6 DIN 7337 S/ST316	760105-000036
29	L-Connector 1/4" M x 8mm Black-Blue	720501-000229
30	PVC Nipple 1.5" BSP x 105 PVC	780101-000932
31	Fitting Nipple 1.5" BSP/NPT x 105 Long PVC	780101-000935

M100-4500 HYDRAULIC FILTER - DRAWING SECTION - 2

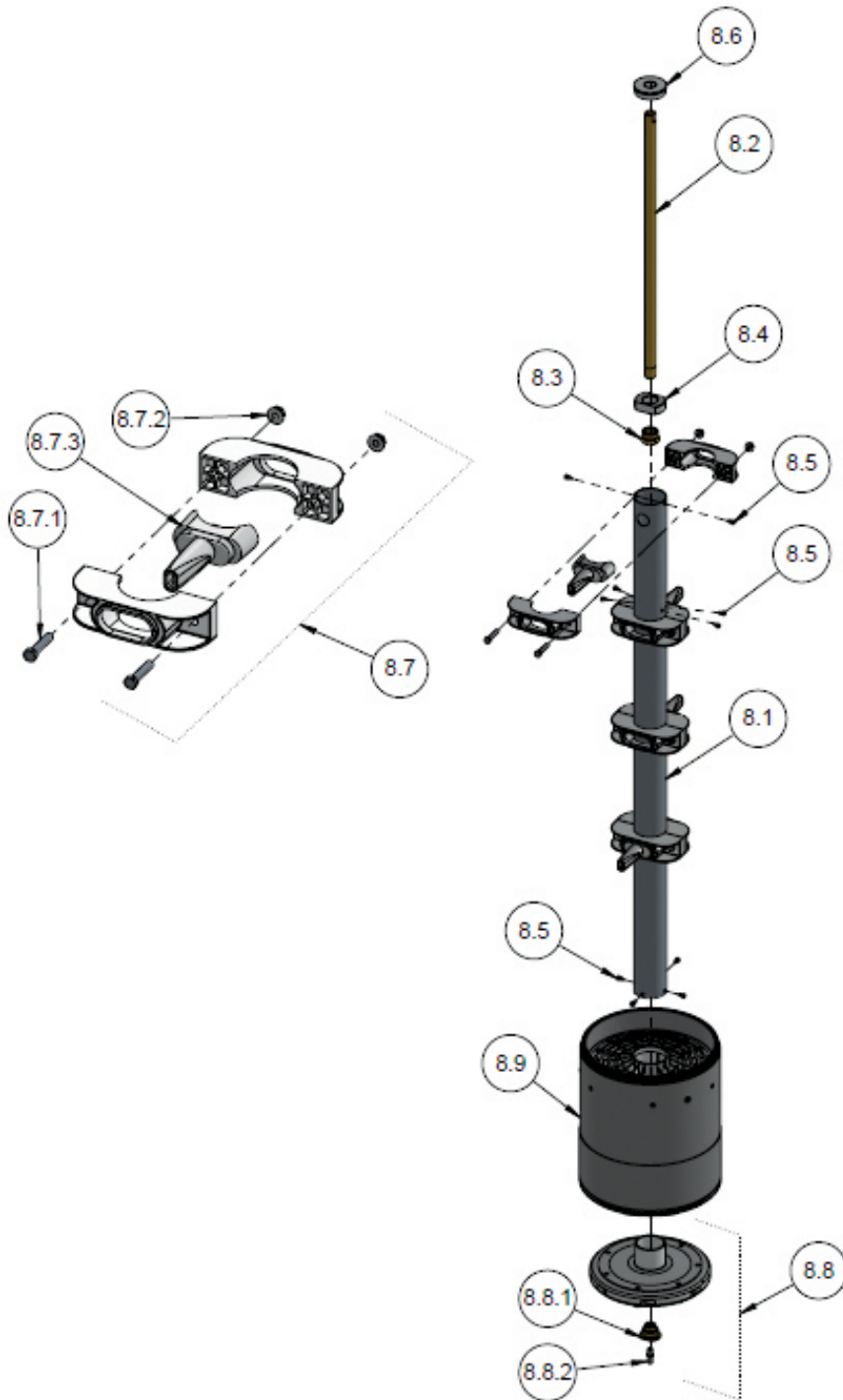




## M100-4500 HYDRAULIC FILTER PARTS SCHEDULE SECTION - 2

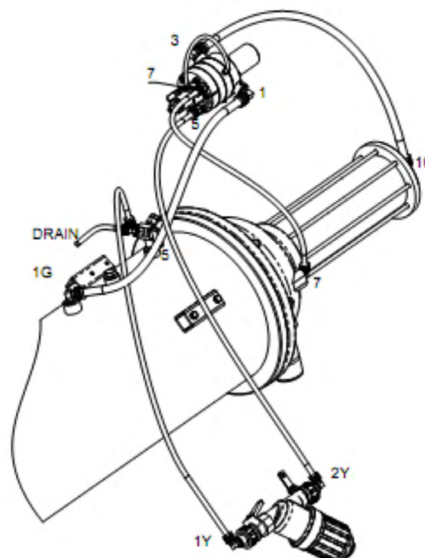
NO.	DESCRIPTION	SAP. CAT.NO.
4	Cover Assembly Cast-Iron	700190-001541
4.1	Cover 8 Holes Blue M10 x (X)(L)	710103-000819
4.2	Hex Nut 1/4" UNC S/ST316 B18.2.2	760102-000078
4.3	Bearing Valve Combined Assembly	710104-000040
4.4	O-Ring Seal 009 NAT	770102-000058
4.5	Spacer Bolt Valve	710103-000895
4.6	Ring Retaining Cover Seat Seal M106	710103-000902
4.7	Seat Valve Seal M106 (Cast-Iron Cover)	710103-000901
4.8	O-Ring Seal (P2-351) 50 + 5 NBR	770102-000156
4.9	O-Ring Seal (P2-237) Nat	770102-000126
4.10	Valve Seat New RL	710104-000039
4.11	Rod Piston M1XX(L)(P) S/St316	710103-000869
4.12	Seal U-Ring 95 x 75 x 10 65+-5 NBR	770105-000019
4.13	Holder Cylinder Seal M1XX(L)(P) Delrin	710103-000900
4.14	Cylinder for M10 x (L)(P) Piston ID95 S/St316	710103-000843
4.15	Plug Piston M10 x (L)(P)	710103-000799
4.16	Rod Tie M106 Cover Cylinder S/ST303	710103-000903
4.17	Flat Washer M6 DIN125 S/ST316	760103-000094
4.18	Nylon Insert Lock Nut 1/4" UNC S/ST316 DIN985	760102-000097
4.19	Plug 1/4" M Blue	720501-000190
4.20	L-Connector 1/4" M x 8mm Red-Blue	720501-000908

M100-4500 HYDRAULIC FILTER - DRAWING SECTION - 3

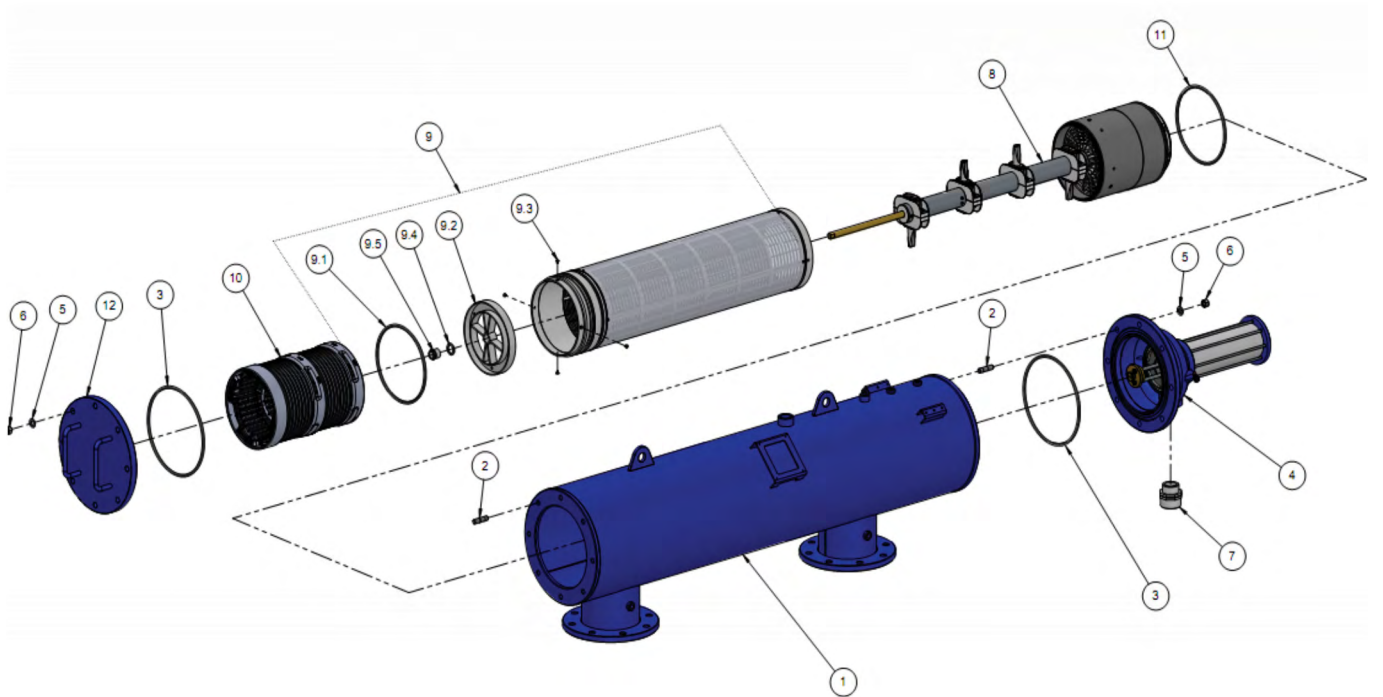


## M100-4500 HYDRAULIC FILTER PARTS SCHEDULE SECTION - 3

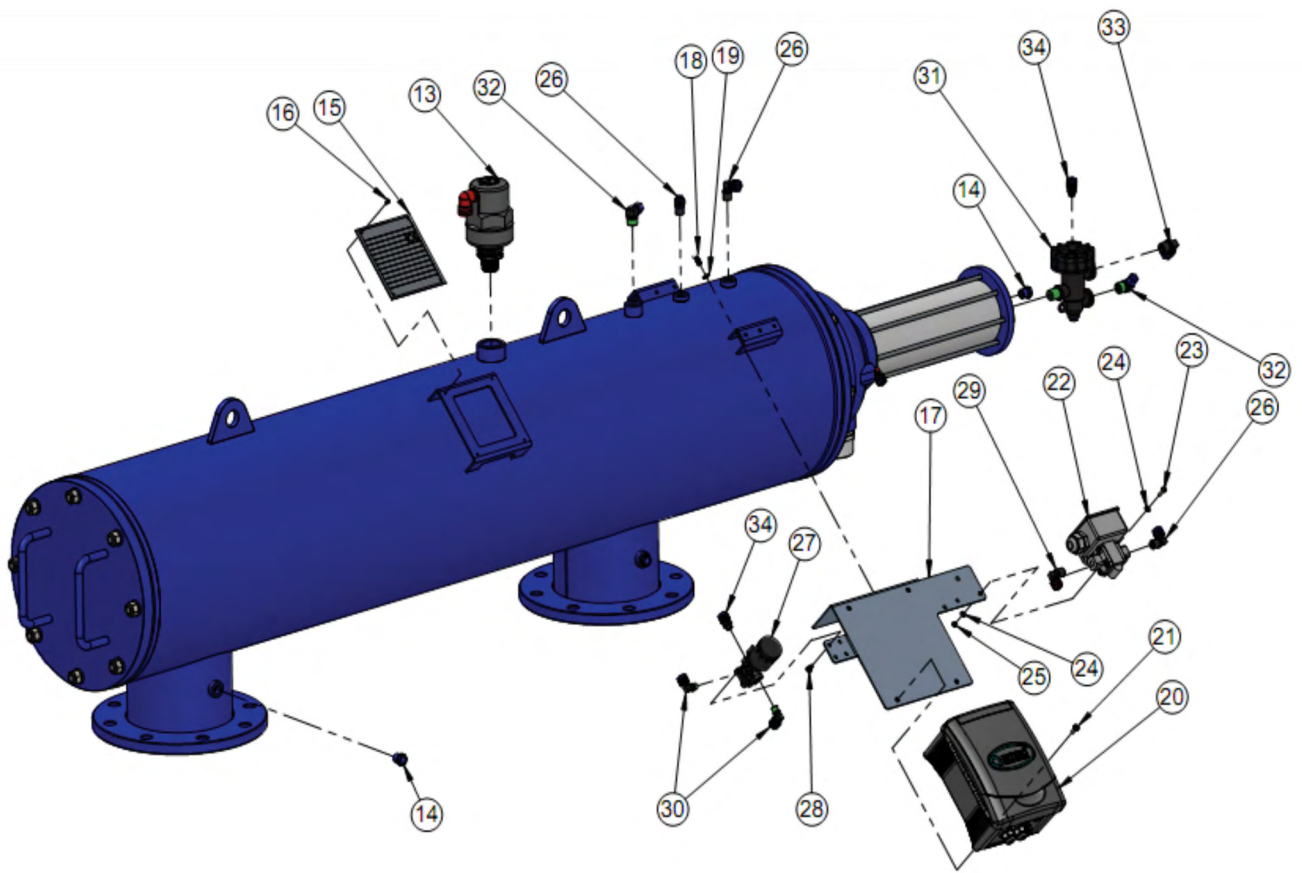
NO.	DESCRIPTION	SAP. CAT.NO.
8	Dirt Collector 4 Nozzles + Rotor & Partition M104LP/M106LP	700190-001508
8.1	Body Dirt Collector S/St304	710103-001103
8.2	Shaft Dirt Collector M-X04L/8L(P) Brass	710103-001483
8.3	Connector Brass Dirt Col/Shaft M x 04L/16P	710103-001490
8.4	Central Support Collector	710103-000800
8.5	Phillips Pan Tap Screw #8 x 3/8" S/St316	760101-000688
8.6	Upper Plug Collector	710103-000802
8.7	Nozzle Suction+Clamps (A)OD52 STD M103C(L)/104C	700190-001608
8.7.1	Hex Bolt Partial Thread 1/4" UNCX1 1/4" S/ST304	760101-000417
8.7.2	Nylon Insert Lock Nut 1/4" UNC S/ST316 DIN985	760102-000097
8.7.3	Nozzle Suction Oval Clamped	710101-000704
8.8	Rotor Assembly (A) for M1XX(C/X/L/P/304)	710103-000989
8.8.1	Housing Bearing Rotor Brass	710103-001088
8.8.2	Lower Bearing Male	710103-001333
8.9	Flushing Chamber For M104L-110 Screen	700190-001538



M100-4500 ELECTRIC FILTER - DRAWING SECTION - 1.1



M100-4500 ELECTRIC FILTER - DRAWING SECTION - 1.2



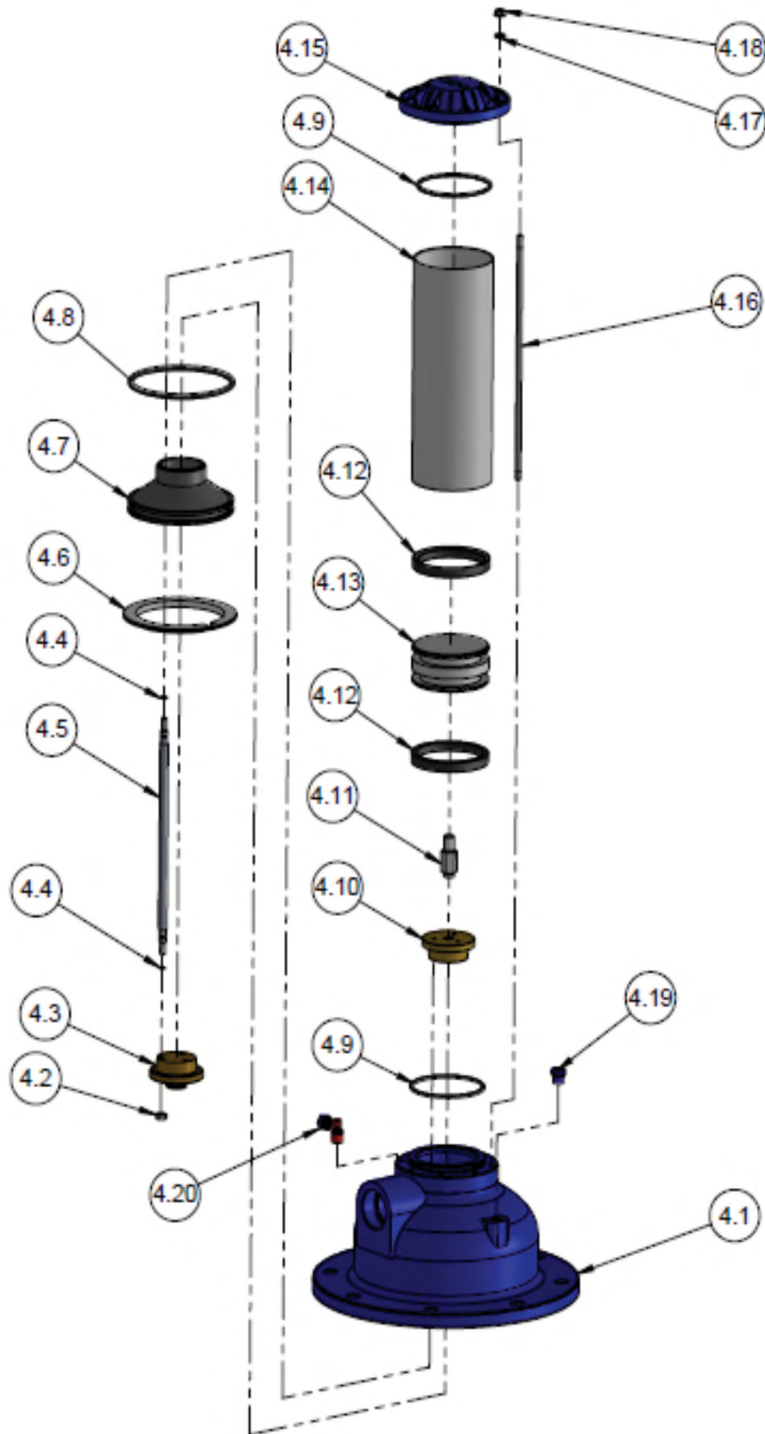
## M100-4500 ELECTRIC FILTER PARTS SCHEDULE SECTION - 1

NO.	DESCRIPTION	SAP. CAT.NO.
1	Housing M104-LPN ASA150	710105-004025
1	Filter Housing 106 LP ASA150	710105-000345
2	Stud Bolt Special 1/2" UNC x 50 Long 20/12	760104-000075
3	O-Ring P2-448 SAF-6000 Drive Unit Adaptor	770102-000174
4	Cover Assembly Cast-Iron	700190-001541
5	Flat Washer M12 DIN125 Zinc Plated C/ST	760103-000077
6	Hex Nut 1/2" UNC Zinc Plated C/ST B18.2.2	760102-000052
7	PVC Nipple 1.5" BSP x 105	780101-000932
7	Threaded Reducing Nipple 2" x 1 1/2"	780101-000611
7	Fitting Nipple 1.5" BSP/NPT x 105 Long PVC	780101-000935
8	Dirt Collector 4 Nozzles + Rotor & Partition M104LP/M106LP	700190-001508
9	Molded Fine Screen ST316 4500 SQ.CM 130 micron for M100-4500	700101-000553
9.1	O-Ring Seal 674 Shore 55-60	770102-000217
9.2	Handle Screen Type 1 Mod, M x 02-6L(P)	710101-000716
9.3	Phillips Flat Machine Screw #10UNC x 5/16"	760101-000498
9.4	Ring Spacer For Bearing Assembly S/ST316	710103-001369
9.5	Bearing Upper F/Screen MX03L/16P S/St 316	710103-001424
10	Injected Coarse Screen Assembly M104/6 LP/XLP	700190-004630
11	O-Ring Seal 674 Shore 55-60	770102-000217
12	Cover M1XX Epoxy PKPK-5010	710105-000362
13	1" Air Release Valve D-040-P BSPT	730108-000120
14	Plug 1/4" M Blue	720501-000190
15	Aluminum Filtomat Nameplate, CE, EN	900103-000001
16	Rivet Blind 3 x 6 DIN7337 S/ST316	760105-000036

## M100-4500 ELECTRIC FILTER PARTS SCHEDULE SECTION - 1

NO.	DESCRIPTION	SAP. CAT.NO.
17	Sling for Amiad Controler AC-DC6 GL MXXX	760190-000354
18	Hex Bolt Full Thread 1/4" UNC x 1/2" S/ST316	760101-000552
19	Spring Washer M6 DIN127 S/ST316	760103-000109
20	Electronic Control DC-6V 6-Out 1-In AMC-6	720101-000477
20	AMC-6 Flushing Controller 230VAC IL 6-Out 1-In	720101-000555
20	AMC-6 Flushing Controller 230VAC EU 6-Out 1-In	720101-000556
20	AMC-6 Flushing Controller 110VAC 6-Out 1-In	720101-000554
21	Phillips Pan Machine Screw M5 x 12 304	760101-000988
22	PD Switch UE 24-011	720104-000029
23	Phillips Pan Machine Screw M4 x 15 S/ST304	760101-000510
24	Flat Washer M4 DIN125 S/ST304	760103-000092
25	Hex Nut M4 S/ST304 DIN934	760102-000083
26	L-CONNECTOR 1/4"MX8MM BLACK-BLUE	720501-000229
27	Solenoid Latch Valve Body S982-2L	720103-000308
27	2/3 NC Solenoid Valve (Typeb) 24VAC 50HZ	720103-000187
27	2/3 NC Solenoid Valve 60HZ NC 24VAC	720103-000189
28	Phillips Pan Machine Screw M5 x 8 S/ST304	760101-000530
29	L-Connector 1/4" M x 8mm Black-Red	720501-000198
30	L-Connector 1/8" M x 8mm Black-Blue	720501-000245
31	8/3" Dor Plas. Accelerator	730110-000009
32	L-Connector 3/8" M x12mm Blue/Black	720501-000199
33	L-Connector 3/8" x 8mm Black-Blue	720501-000217
34	Straight Connector 1/8" M x 8mm Black-Blue	720501-000243

M100-4500 ELECTRIC FILTER - DRAWING SECTION - 2

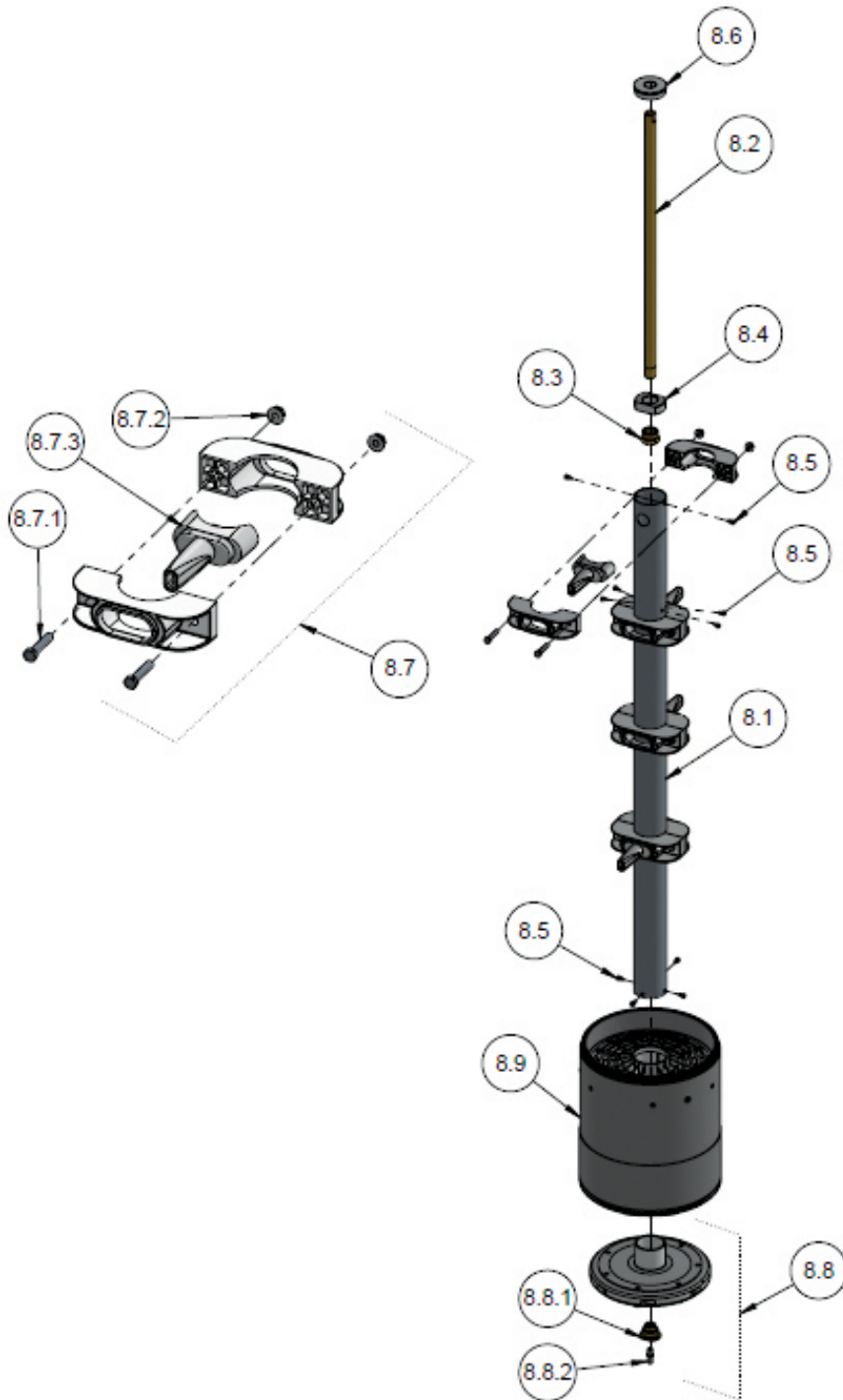




## M100-4500 ELECTRIC FILTER PARTS SCHEDULE SECTION - 2

NO.	DESCRIPTION	SAP. CAT.NO.
4	Cover Assembly Cast-Iron	700190-001541
4.1	Cover 8 Holes Blue M10X(X)(L)	710103-000819
4.2	Hex Nut 1/4" UNC S/ST316 B18.2.2	760102-000078
4.3	Bearing Valve Combined Assembly	710104-000040
4.4	O-Ring Seal 009 NAT	770102-000058
4.5	Spacer Bolt Valve	710103-000895
4.6	Ring Retaining Cover Seat Seal M106	710103-000902
4.7	Seat Valve Seal M106 (Cast-Iron Cover)	710103-000901
4.8	O-Ring Seal (P2-351) 50+5 NBR	770102-000156
4.9	O-Ring Seal (P2-237) Nat	770102-000126
4.10	Valve Seat New RL	710104-000039
4.11	Rod Piston M1XX(L)(P) S/St316	710103-000869
4.12	Seal U-Ring 95 x 75 x 10 65+-5 NBR	770105-000019
4.13	Holder Cylinder Seal M1XX(L)(P) Delrin	710103-000900
4.14	Cylinder for M10 x (L)(P) Piston ID95 S/St316	710103-000843
4.15	Plug Piston M10 x (L)(P)	710103-000799
4.16	Rod Tie M106 Cover Cylinder S/ST303	710103-000903
4.17	Flat Washer M6 DIN125 S/ST316	760103-000094
4.18	Nylon Insert Lock Nut 1/4" UNC S/ST316 DIN985	760102-000097
4.19	Plug 1/4" M Blue	720501-000190
4.20	L-Connector 1/4" M x 8mm Red-Blue	720501-000908

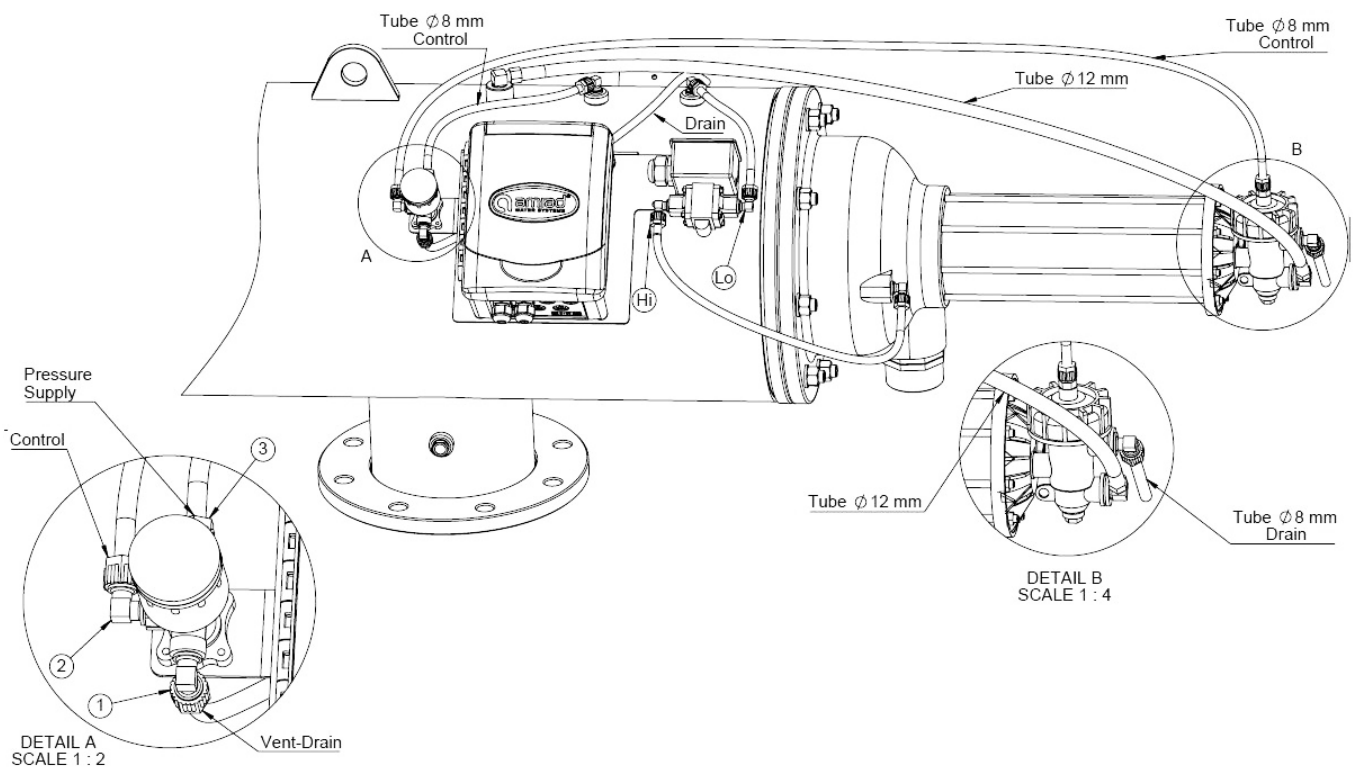
M100-4500 ELECTRIC FILTER - DRAWING SECTION - 3



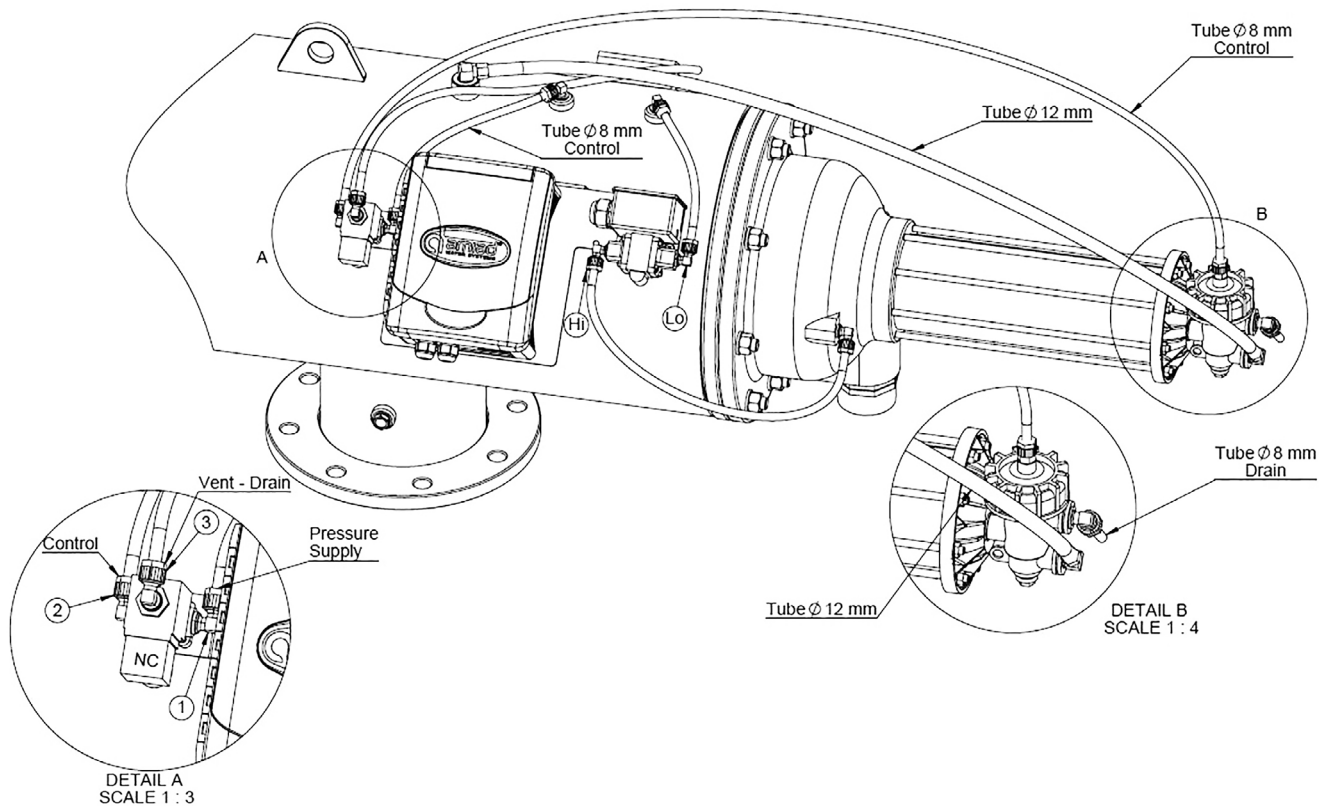
## M100-4500 ELECTRIC FILTER PARTS SCHEDULE SECTION - 3

NO.	DESCRIPTION	SAP. CAT.NO.
8	Dirt Collector 4 Nozzles + Rotor & Partition M104LP/M106LP	700190-001508
8.1	Body Dirt Collector S/St304	710103-001103
8.2	Shaft Dirt Collector M-X04L/8L(P) Brass	710103-001483
8.3	Connector Brass Dirt Col/Shaft M x 04L/16P	710103-001490
8.4	Central Support Collector	710103-000800
8.5	Phillips Pan Tap Screw #8 x 3/8" S/St316	760101-000688
8.6	Upper Plug Collector	710103-000802
8.7	Nozzle Suction+Clamps (A)0D52 STD M103C(L)/104C	700190-001608
8.7.1	Hex Bolt Partial Thread 1/4" UNCX1 1/4" S/ST304	760101-000417
8.7.2	Nylon Insert Lock Nut 1/4" UNC S/ST316 DIN985	760102-000097
8.7.3	Nozzle Suction Oval Clamped	710101-000704
8.8	Rotor Assembly (A) for M1XX(C/X/L/P/304)	710103-000989
8.8.1	Housing Bearing Rotor Brass	710103-001088
8.8.2	Lower Bearing Male	710103-001333
8.9	Flushing Chamber for M104L-110 Screen	700190-001538

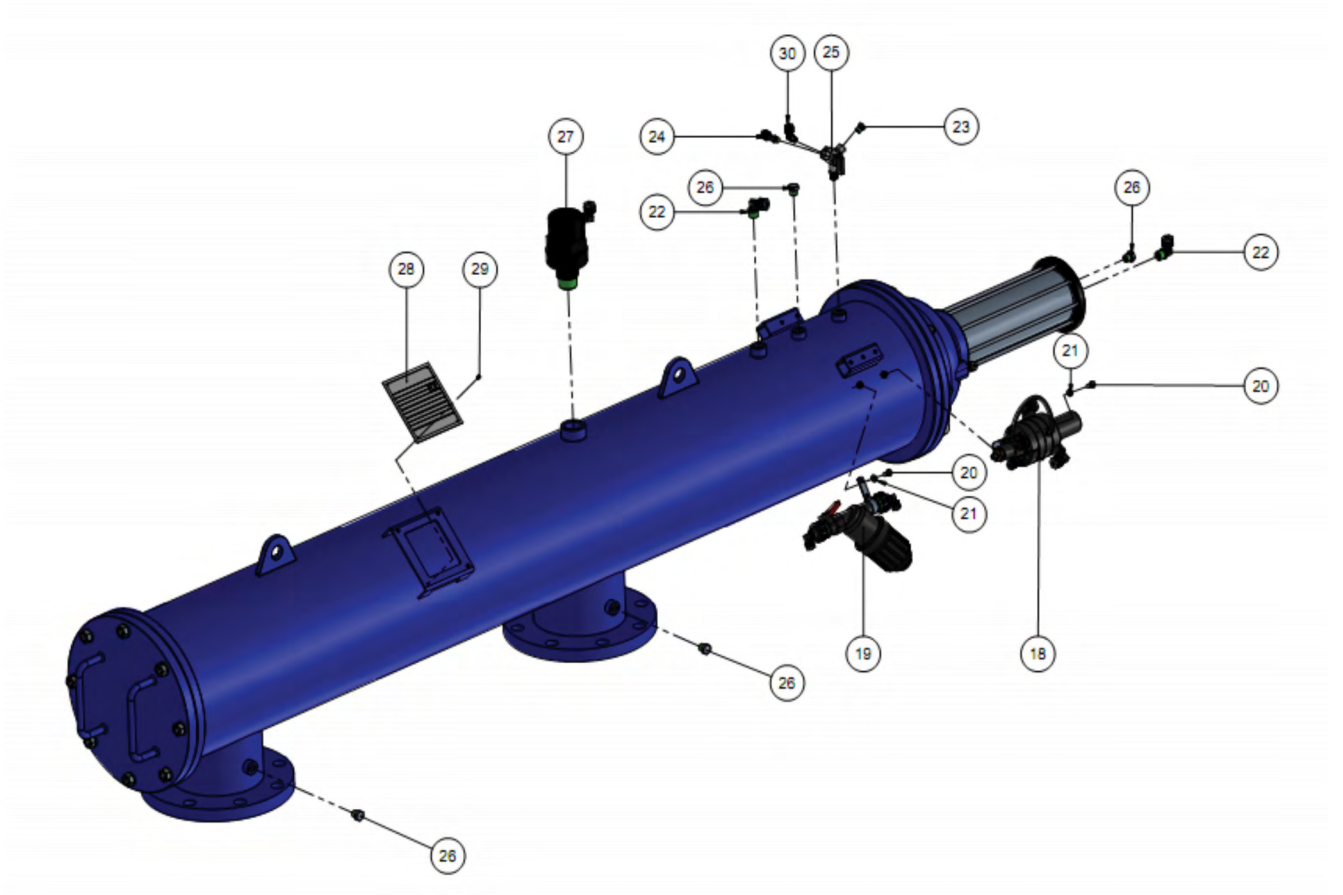
M100-4500 ELECTRIC FILTER - DRAWING SECTION DC MODEL



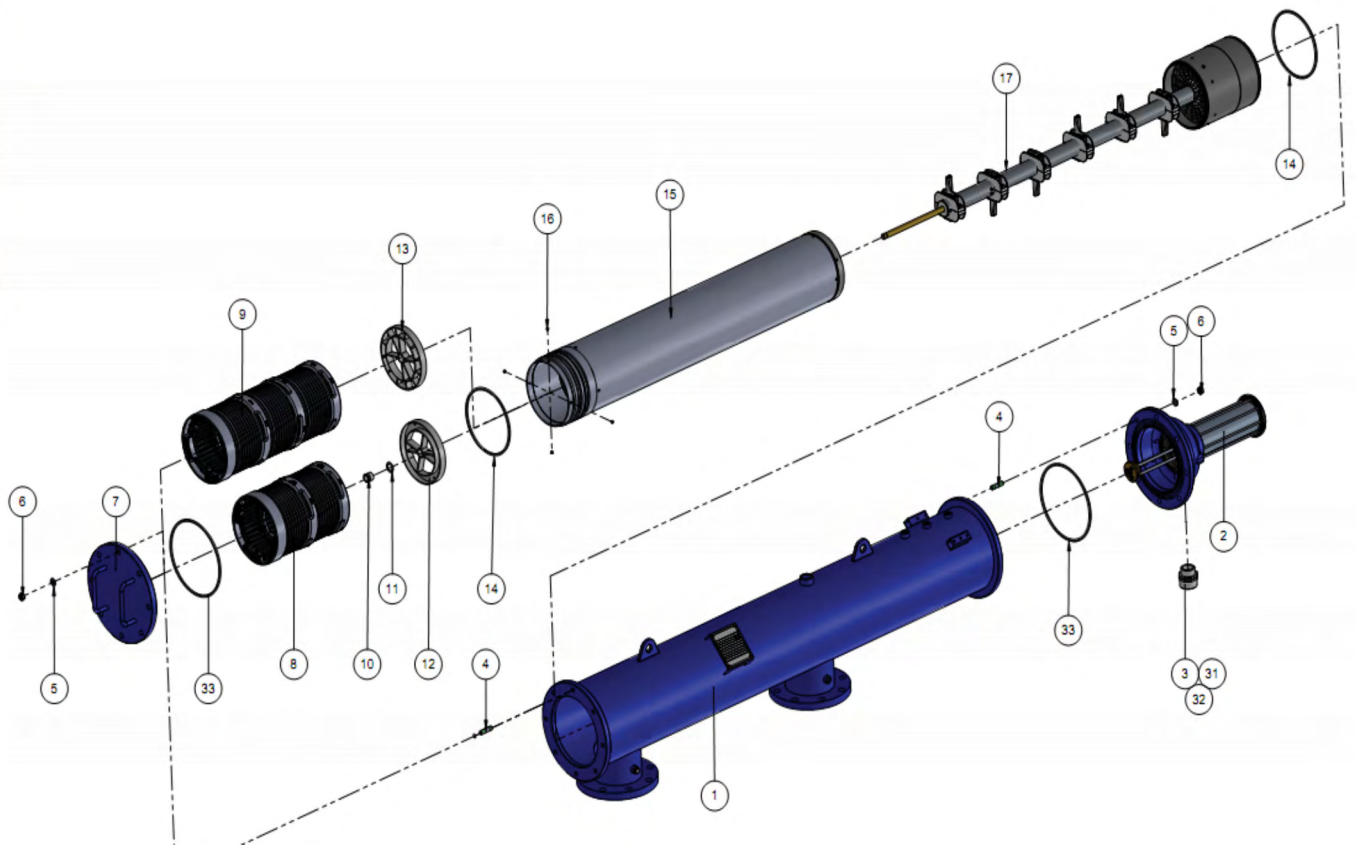
M100-4500 ELECTRIC FILTER - DRAWING SECTION AC MODEL



M100-6800 HYDRAULIC FILTER - DRAWING SECTION - 1.1



M100-6800 HYDRAULIC FILTER - DRAWING SECTION - 1.2



## M100-6800 HYDRAULIC FILTER PARTS SCHEDULE SECTION - 1

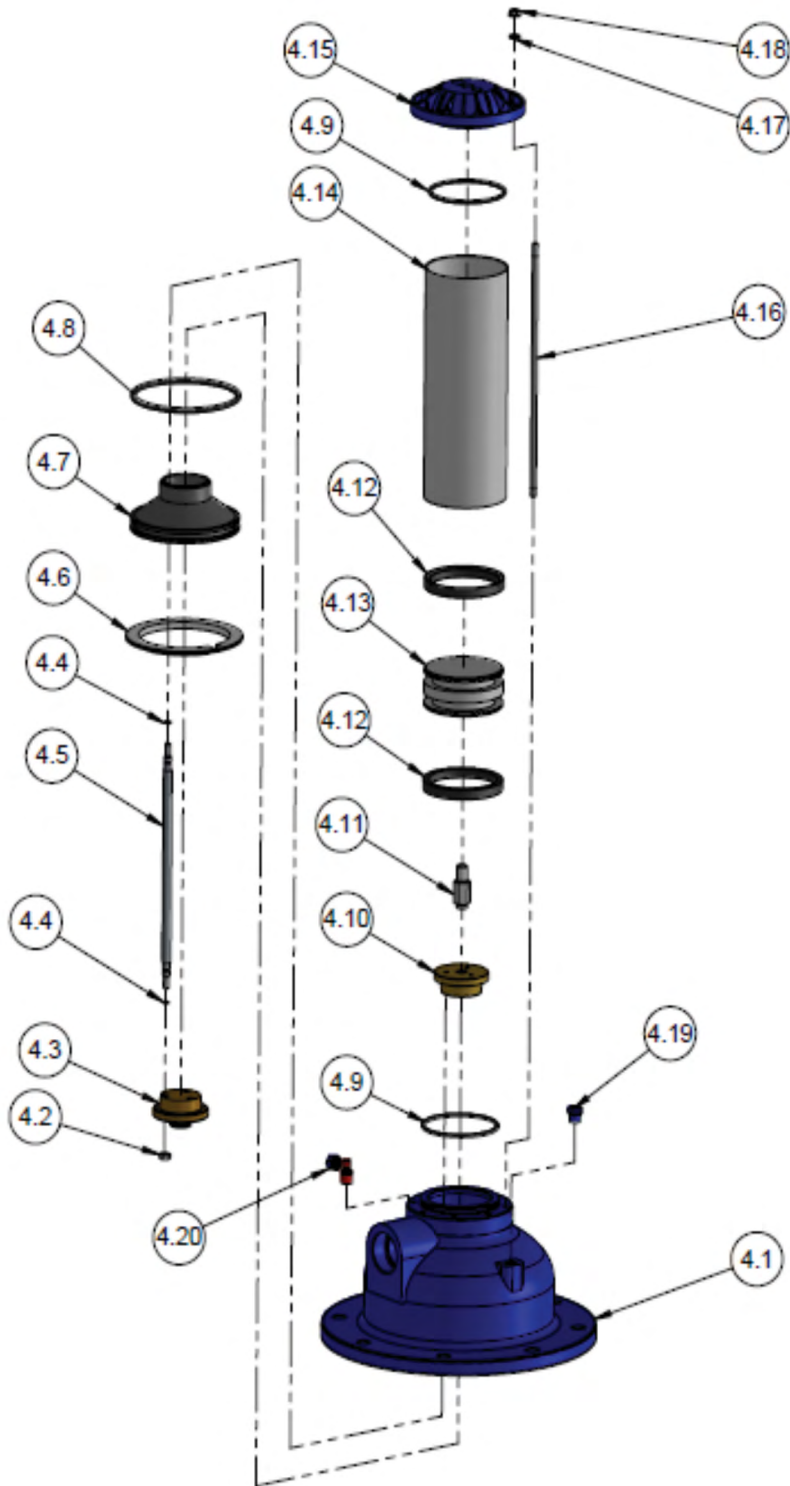
NO.	DESCRIPTION	SAP. CAT.NO.
1	Housing M104-XLP ASA150	710105-000405
1	Filter Housing 106 XLP ASA150	710105-000412
1	Filter Housing 108 LP ASA150	710105-000433
1	Filter Housing 110 P ASA150	710105-000445
2	Piston Lid Assembly	700190-001541
3	Reducing Nipple 2" x 1 1/2" PP	780101-000611
4	Stud Bolt 1/2" UNC x 50 Long 20/12 S/ST303	760104-000075
5	Flat Washer M12 DIN125 ZINC Plated C/ST	760103-000077
6	Hex NUT 1/2" UNC ZINC Plated C/ST B18.2.2	760102-000052
7	Cover M1XX EPOXY PKPK-5010	710105-000362
8	Injected Coarse Scrn Assy M104/6 LP/XLP	700190-004630
9	Injected Coarse Screen Assy M108LP/M110P	700190-004629
10	Bearing Upper for Screen M x 03L/16P S/ST316	710103-001424
11	Ring Spacer for Bearing Assembly S/ST 316	710103-001369
12	Handle Screen Type 1 MOD, MX02-6L(P)	710101-000716
13	Handle Screen Type 2 NYLON 6	710101-000717
14	O-RING Seal 674 SH55-60 soft NIT. M x 2L/NAT	770102-000217
15	Mold.ST316 6800SQ.CM SC130M F/M100-6800A	700101-000573
15	Mol.316 6800SQ.CM130MI Pvcend-M100-6800B	700101-000599
16	U.CUT Phillips Flat Machined SCRW #10UNC x 5/16" 304	760101-000498
17	Dirt Collector Assembly 6 Nozzles + Partition STD M104 XLP/110P	700190-001670



## M100-6800 HYDRAULIC FILTER PARTS SCHEDULE SECTION - 1

NO.	DESCRIPTION	SAP. CAT.NO.
18	Rinse Control Assembly Long M1XX Piston	700190-001520
19	Kit Mini Filter	700190-001584
20	Hex Bolt Full Thread 1/4" UNC x 1/2" S/ST316	760101-000552
21	Spring Washer M6 DIN127 S/ST316	760103-000109
22	L-Connector 3/8" M x 12mm Black-Blue	720501-000199
23	Plug 1/8" M Blue	720501-000197
24	L-ConnectoR 1/8" M x 8mm Black-Blue	720501-000245
25	SY-3 1/4" Valve BSPP	730104-000003
26	Plug 1/4" M Blue	720501-000190
27	1" D-040-P BSPT Air Valve Barak DR 3/8"	730108-000120
28	Nameplate Filtomat CE Aluminium EN	900103-000001
29	Rivet Blind 3 x 6 DIN 7337 S/ST316	760105-000036
30	L-Connector 1/4" M x 8mm Black-Blue	720501-000229
31	PVC Nipple 1.5" BSP x 105 PVC	780101-000932
32	Fitting Nipple 1.5" BSP/NPT x 105 Long PVC	780101-000935
33	O-RinG P2-448 SAF-6000 Drive Unit Adaptor NBR	770102-000174

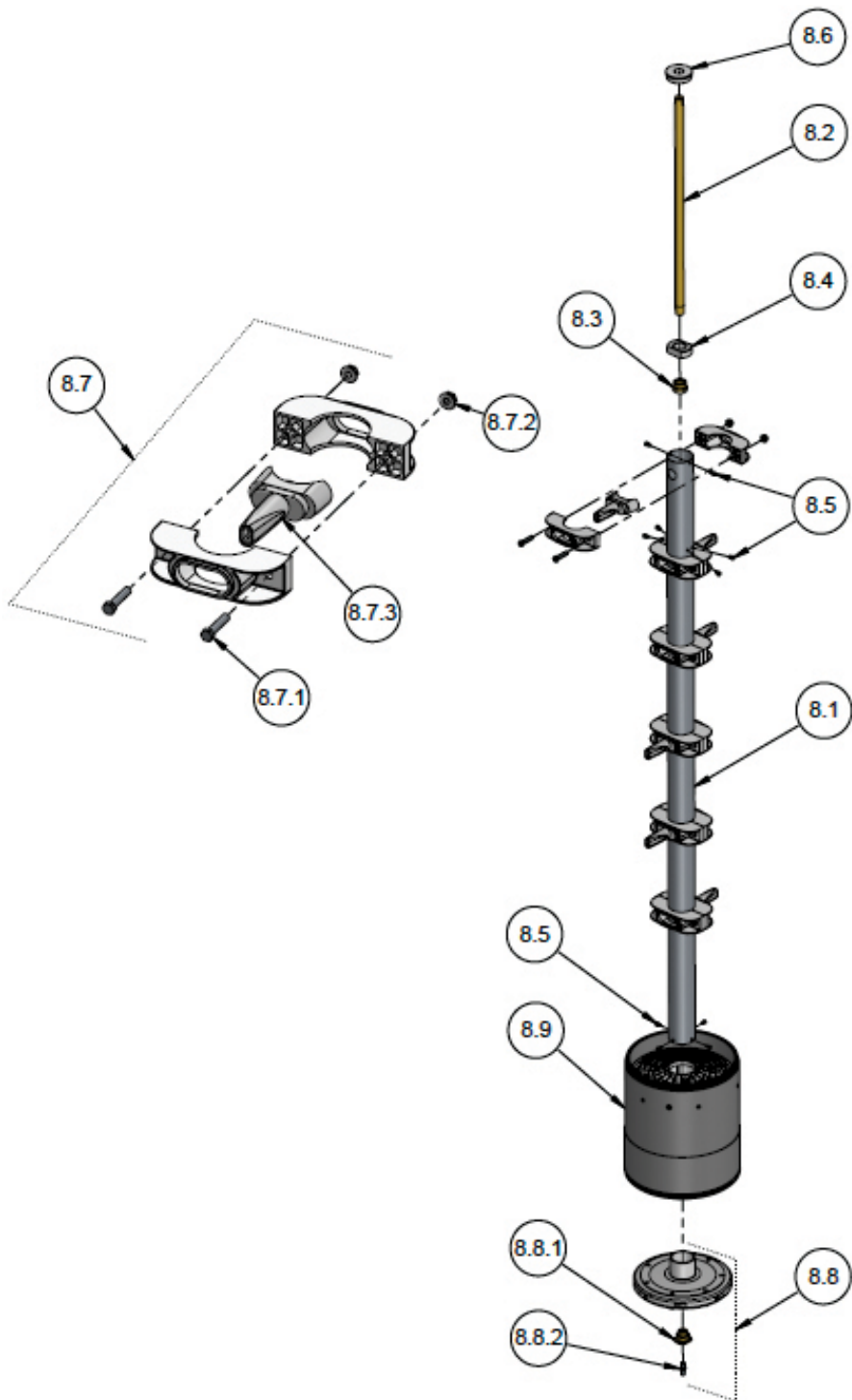
M100-6800 HYDRAULIC FILTER - DRAWING SECTION - 2



## M100-6800 HYDRAULIC FILTER PARTS SCHEDULE SECTION - 2

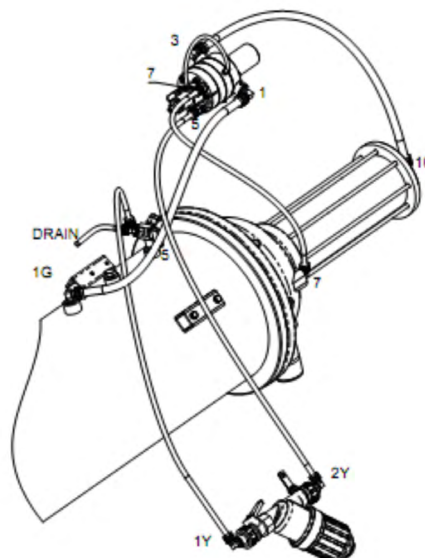
NO.	DESCRIPTION	SAP. CAT.NO.
4	Cover Assembly Cast-Iron	700190-001541
4.1	Cover 8 Holes Blue M10X(X)(L)	710103-000819
4.2	Hex Nut 1/4" UNC S/ST316 B18.2.2	760102-000078
4.3	Bearing Valve Combined Assembly	710104-000040
4.4	O-Ring Seal 009 NAT	770102-000058
4.5	Spacer Bolt Valve	710103-000895
4.6	Ring Retaining Cover Seat Seal M106	710103-000902
4.7	Seat Valve Seal M106 (Cast-Iron Cover)	710103-000901
4.8	O-Ring Seal (P2-351) 50+5 NBR	770102-000156
4.9	O-Ring Seal (P2-237) Nat	770102-000126
4.10	Valve Seat New RL	710104-000039
4.11	Rod Piston M1XX(L)(P) S/St316	710103-000869
4.12	Seal U-Ring 95 x 75 x 10 65+-5 NBR	770105-000019
4.13	Holder Cylinder Seal M1XX(L)(P) Delrin	710103-000900
4.14	Cylinder for M10X(L)(P) Piston ID95 S/St316	710103-000843
4.15	Plug Piston M10X(L)(P)	710103-000799
4.16	Rod Tie M106 Cover Cylinder S/ST303	710103-000903
4.17	Flat Washer M6 DIN125 S/ST316	760103-000094
4.18	Nylon Insert Lock Nut 1/4" UNC S/ST316 DIN985	760102-000097
4.19	Plug 1/4" M Blue	720501-000190
4.20	L-Connector 1/4" M x 8mm Red-Blue	720501-000908

M100-6800 HYDRAULIC FILTER - DRAWING SECTION - 3

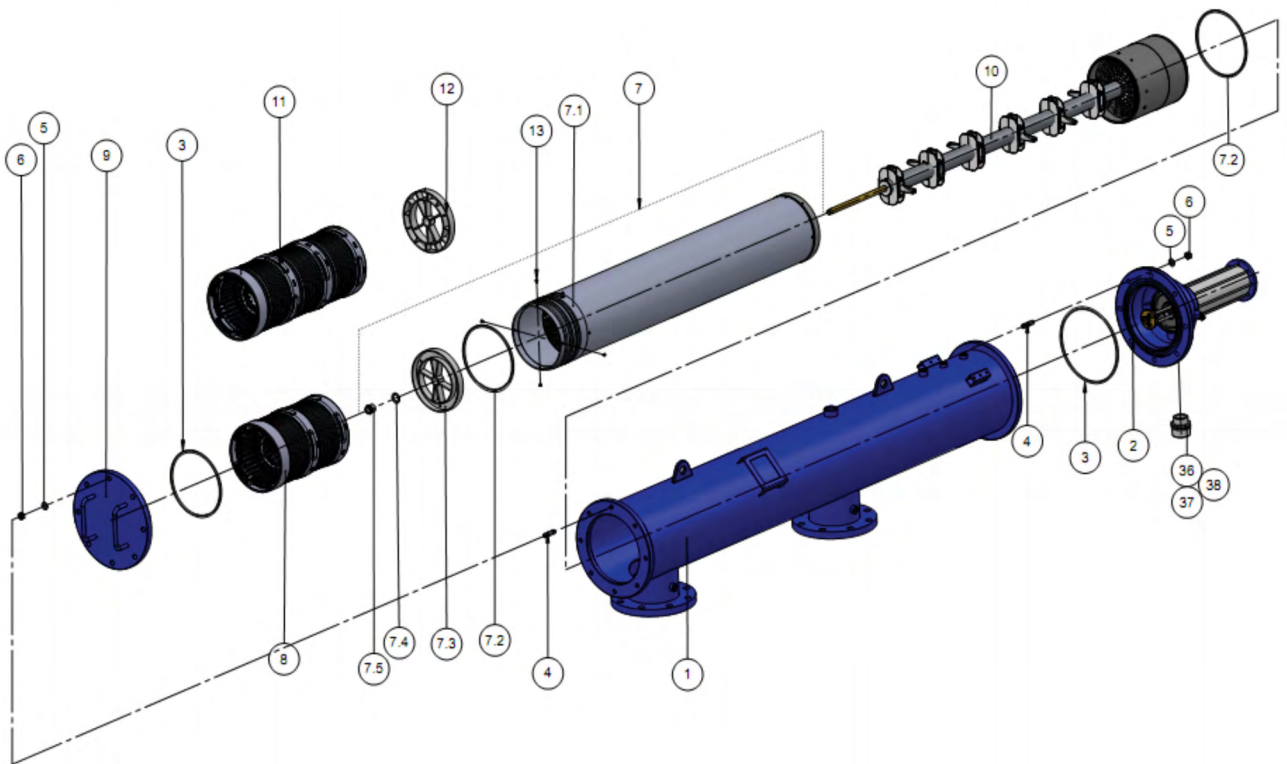


## M100-6800 HYDRAULIC FILTER PARTS SCHEDULE SECTION - 3

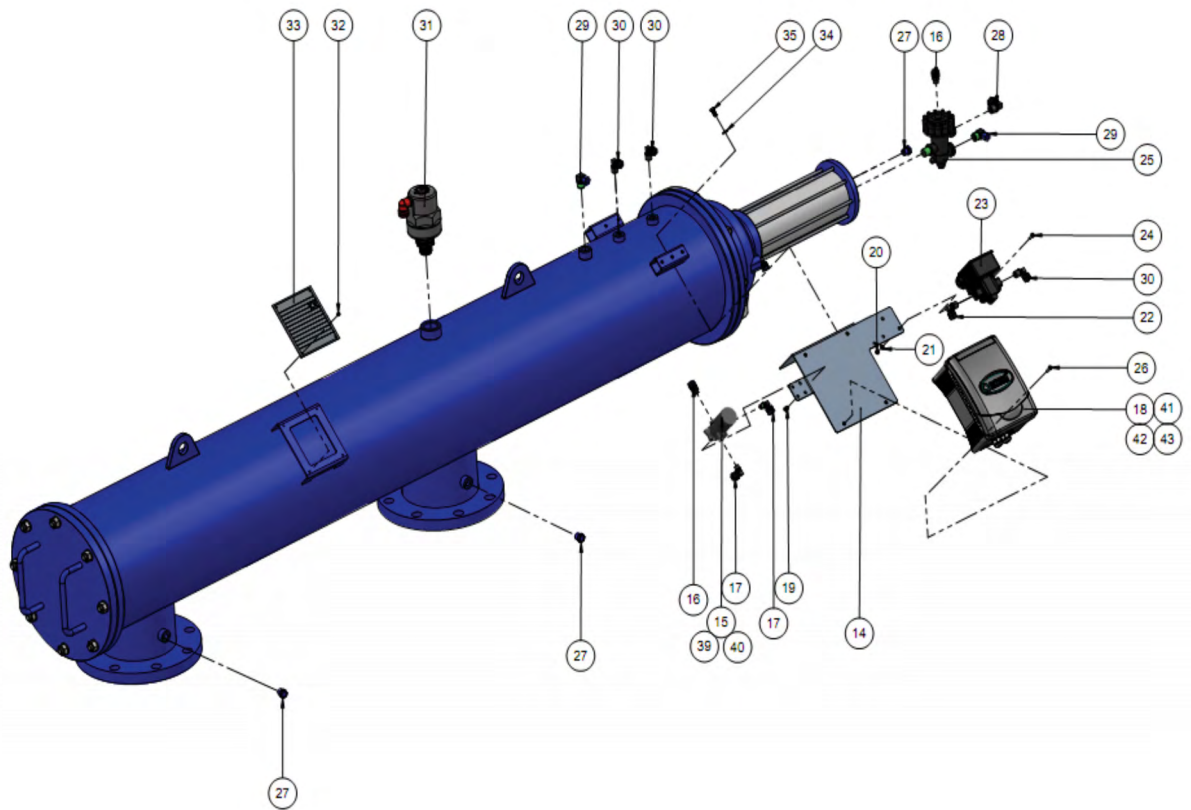
NO.	DESCRIPTION	SAP. CAT.NO.
8	Dirt Collector Assembly 6 Nozzles+Partition STD M104 x LP/110P	700190-001670
8.1	Body Dirt Collector S/St304 (6 Noz)	710103-000920
8.2	Shaft Dirt Collector M-X04L/8L(P) Brass	710103-001483
8.3	Connector Brass Dirt Col/Shaft M x 04L/16P	710103-001490
8.4	Central Support Collector	710103-000800
8.5	Phillips Pan Tap Screw #8 x 3/8" S/St316	760101-000688
8.6	Upper Plug Collector	710103-000802
8.7	Nozzle Suction+Clamps (A)OD52 STD M103C(L)/104C	700190-001608
8.7.1	Hex Bolt Partial Thread 1/4" UNC x 1 1/4" S/ST304	760101-000417
8.7.2	Nylon Insert Lock Nut 1/4" UNC S/ST316 DIN985	760102-000097
8.7.3	Nozzle Suction Oval Clamped	710101-000704
8.8	Rotor Assembly (A) for M1XX(C/X/L/P/304)	710103-000989
8.8.1	Housing Bearing Rotor Brass	710103-001088
8.8.2	Lower Bearing Male	710103-001333
8.9	Flushing Chamber For M104L-110 Screen	700190-001538



M100-6800 ELECTRIC FILTER - DRAWING SECTION - 1.1



M100-6800 ELECTRIC FILTER - DRAWING SECTION - 1.2



## M100-6800 ELECTRIC FILTER PARTS SCHEDULE SECTION - 1

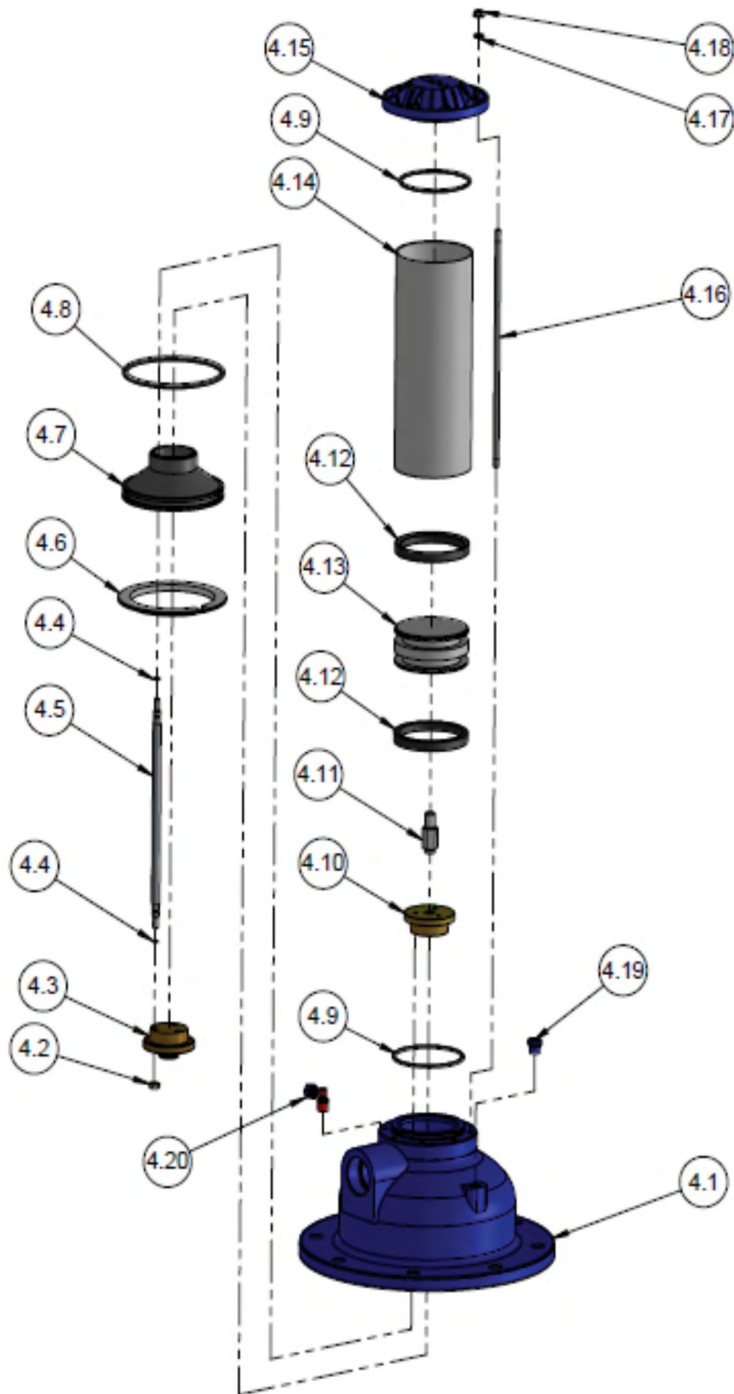
NO.	DESCRIPTION	SAP. CAT.NO.
1	Housing M104-XLP ASA150	710105-000405
1	Filter Housing 106 XLP ASA150	710105-000412
1	Filter Housing 108 LP ASA150	710105-000433
1	Filter Housing 110 P ASA150	710105-000445
2	Cover Assembly Cast-Iron	700190-001541
3	O-Ring P2-448 SAF-6000 Drive Unit Adaptor	770102-000174
4	Stud Bolt Special 1/2" UNC x 50 Long 20/12	760104-000075
5	Flat Washer M12 DIN125 Zinc Plated C/ST	760103-000077
6	Hex Nut 1/2" UNC Zinc Plated C/ST B18.2.2	760102-000052
7	Mold.ST316 6800SQ.CM SC130M F/M100-6800A	700101-000573
7	Mol.316 6800SQ.CM130MI PVCEND-M100-6800B	700101-000599
7.2	O-Ring Seal674 Shore 55-60	770102-000217
7.3	Handle Screen Type 1 Mod,MX02-6L(P)	710101-000716
7.4	Ring Spacer for Bearing Assembly S/ST316	710103-001369
7.5	Bearing Upper F/Screen MX03L/16P S/St 316	710103-001424
8	Injected Coarse SCRNs Assy M104/6 LP/XLP	700190-004630
9	Cover M1XX Epoxy PKPK-5010	710105-000362
10	Dirt Collector Assembly 6 Nozzles + Partition STD M104 XLP/110P	700190-001670
11	Injected Coarse Screen Assy M108LP/M110P	700190-004629
12	Handle Screen Type 2 Nylon 6	710101-000717
13	Phillips Flat Machine Screw #10UNC x 5/16"	760101-000498
14	Sling for Amiad Controller AC-DC6 GL MXXX	760190-000354
15	Solenoid Latch Valve Body S982-2L	720103-000308
16	Straight Connector 1/8" M x 8mm Black-Blue	720501-000243
17	L-Connector 1/8" M x 8mm Black-Blue	720501-000245



## M100-6800 ELECTRIC FILTER PARTS SCHEDULE SECTION - 1

NO.	DESCRIPTION	SAP. CAT.NO.
18	Electronic Control DC-6V 6-Out 1-In AMC-6	720101-000477
19	Phillips Pan Machine Screw M5 x 8 S/ST304	760101-000530
20	Hex NUT M4 S/ST304 DIN934	760102-000083
21	Flat Washer M4 DIN125 S/ST304	760103-000092
22	L-ConnectoR 1/4" M x 8mm Black-Red	720501-000198
23	PD Switch UE 24-011	720104-000029
24	Phillips Pan Machine Screw M4 x 15 S/ST304	760101-000510
25	8/3" Dor Plas. Accelerator	730110-000009
26	Phillips Pan Machine Screw M5 x 12 304	760101-000988
27	Plug 1/4" M Blue	720501-000190
28	L-Connector 3/8" x 8mm Black-Blue	720501-000217
29	L-Connector 3/8" M x 12mm Blue/Black	720501-000199
30	L-Connector 1/4" M x 8mm Black-Blue	720501-000229
31	1" Air Release Valve D-040-P BSPT	730108-000120
32	Rivet Blind 3 x 6 DIN7337 S/ST316	760105-000036
33	Aluminum Filtomat Nameplate, CE, EN	900103-000001
34	Spring Washer M6 DIN127 S/ST316	760103-000109
35	Hex Bolt Full Thread 1/4" UNC x 1/2" S/ST316	760101-000552
36	Threaded Reducing Nipple 2" x 1 1/2"	780101-000611
37	PVC Nipple 1.5" BSP x 105	780101-000932
38	Fitting Nipple 1.5" BSP/NPT x 105 Long PVC	780101-000935
39	Valve Solenoid 3/2NC 2.4/G1/8 24VAC/50HZ	720103-000187
40	2/3 NC Solenoid Valve 60HZ NC 24VAC	720103-000189
41	AMC-6 Flushing Controller 230VAC IL 6-Out 1-In	720101-000555
42	AMC-6 Flushing Controller 230VAC EU 6-Out 1-In	720101-000556
43	AMC-6 Flushing Controller 110VAC 6-Out 1-In	720101-000554

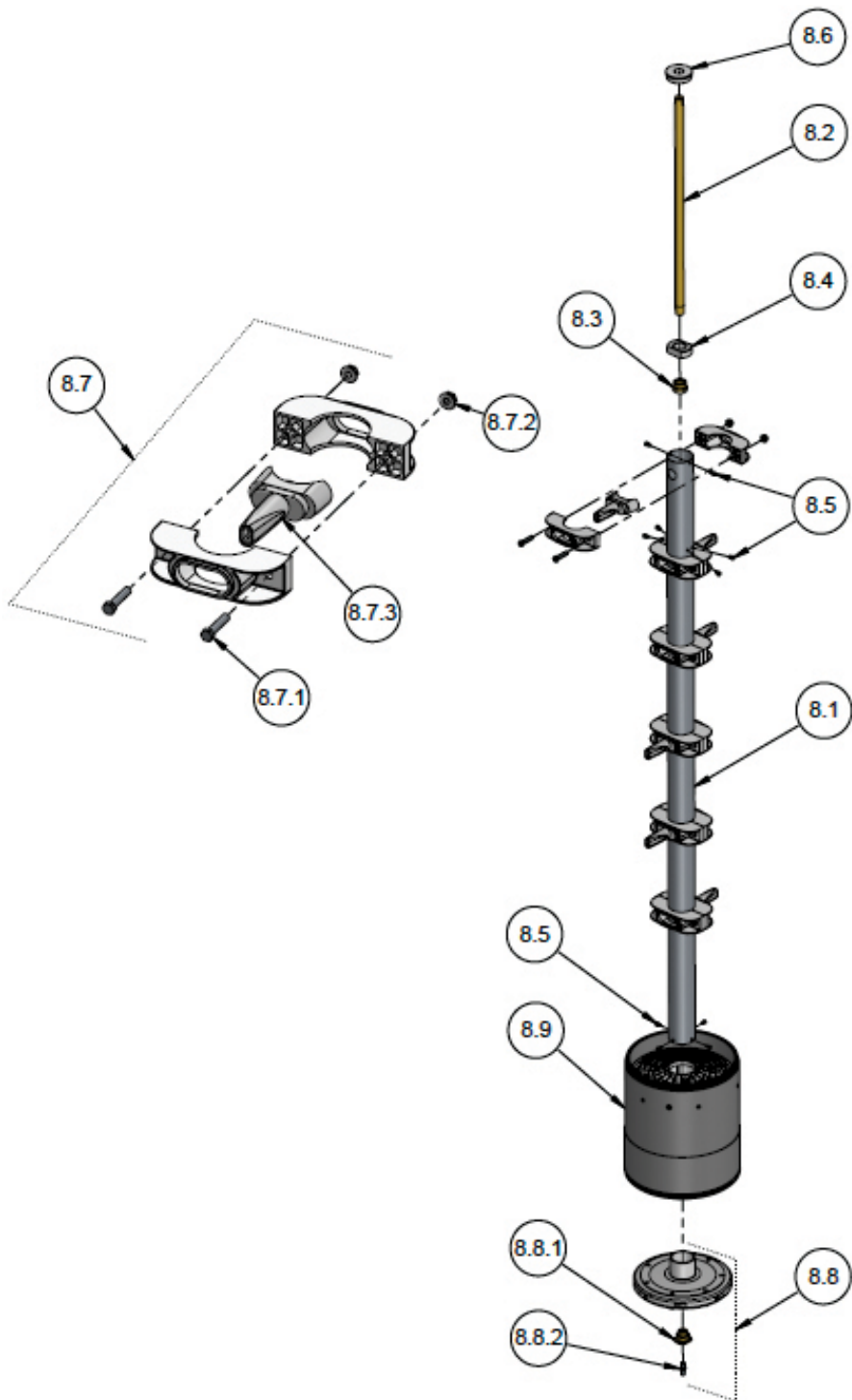
M100-6800 ELECTRIC FILTER - DRAWING SECTION - 2



## M100-6800 ELECTRIC FILTER PARTS SCHEDULE SECTION - 2

NO.	DESCRIPTION	SAP. CAT.NO.
4	Cover Assembly Cast-Iron	700190-001541
4.1	Cover 8 Holes Blue M10X(X)(L)	710103-000819
4.2	Hex Nut 1/4" UNC S/ST316 B18.2.2	760102-000078
4.3	Bearing Valve Combined Assembly	710104-000040
4.4	O-Ring Seal 009 NAT	770102-000058
4.5	Spacer Bolt Valve	710103-000895
4.6	Ring Retaining Cover Seat Seal M106	710103-000902
4.7	Seat Valve Seal M106 (Cast-Iron Cover)	710103-000901
4.8	O-Ring Seal (P2-351) 50+5 NBR	770102-000156
4.9	O-Ring Seal (P2-237) Nat	770102-000126
4.10	Valve Seat New RL	710104-000039
4.11	Rod Piston M1XX(L)(P) S/St316	710103-000869
4.12	Seal U-Ring 95 x 75 x 10 65+-5 NBR	770105-000019
4.13	Holder Cylinder Seal M1XX(L)(P) Delrin	710103-000900
4.14	Cylinder for M10 x (L)(P) Piston ID95 S/St316	710103-000843
4.15	Plug Piston M10 x (L)(P)	710103-000799
4.16	Rod Tie M106 Cover Cylinder S/ST303	710103-000903
4.17	Flat Washer M6 DIN125 S/ST316	760103-000094
4.18	Nylon Insert Lock Nut 1/4" UNC S/ST316 DIN985	760102-000097
4.19	Plug 1/4" M Blue	720501-000190
4.20	L-Connector 1/4" M x 8mm Red-Blue	720501-000908

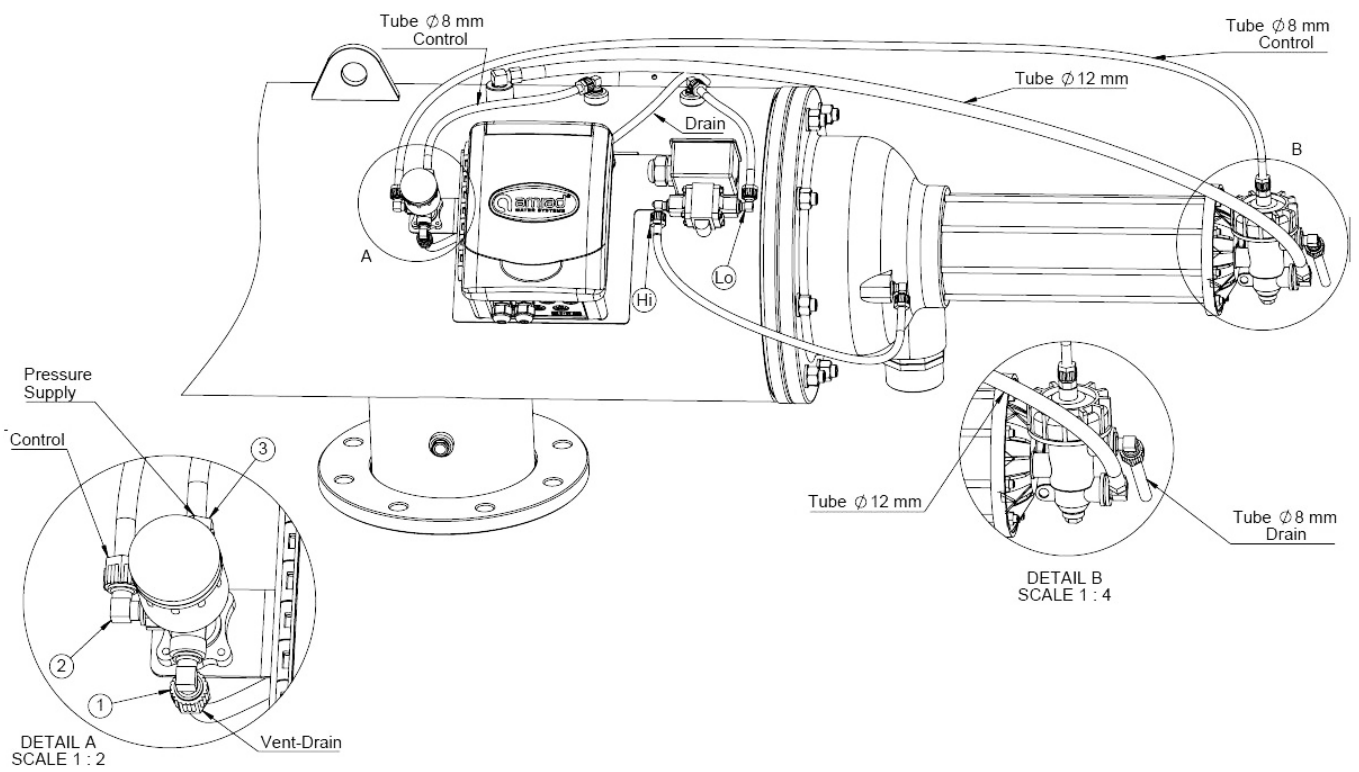
M100-6800 ELECTRIC FILTER - DRAWING SECTION - 3



## M100-6800 ELECTRIC FILTER PARTS SCHEDULE SECTION - 2

NO.	DESCRIPTION	SAP. CAT.NO.
8	Dirt Collector Assembly 6 Nozzles + Partition STD M104XLP/110P	700190-001670
8.1	Body Dirt Collector S/St304 (6 Noz)	710103-000920
8.2	Shaft Dirt Collector M-X04L/8L(P) Brass	710103-001483
8.3	Connector Brass Dirt Col/Shaft M x 04L/16P	710103-001490
8.4	Central Support Collector	710103-000800
8.5	Phillips Pan Tap Screw #8 x 3/8" S/St316	760101-000688
8.6	Upper Plug Collector	710103-000802
8.7	Nozzle Suction+Clamps (A)0D52 STD M103C(L)/104C	700190-001608
8.7.1	Hex Bolt Partial Thread 1/4" UNC x 1 1/4" S/ST304	760101-000417
8.7.2	Nylon Insert Lock Nut 1/4" UNC S/ST316 DIN985	760102-000097
8.7.3	Nozzle Suction Oval Clamped	710101-000704
8.8	Rotor Assembly (A) for M1XX(C/X/L/P/304)	710103-000989
8.8.1	Housing Bearing Rotor Brass	710103-001088
8.8.2	Lower Bearing Male	710103-001333
8.9	Flushing Chamber for M104L-110 Screen	700190-001538

M100-6800 ELECTRIC FILTER - DRAWING DC MODEL



M100-6800 ELECTRIC FILTER - DRAWING AC MODEL

